

ENGINEER TO ORDER

SPECIAL PROJECT INFORMATION SHEET



Project Description	Twin Spindle PTM-800, 1350 & 2000 Remote Units		
Date created	17 December 2009	Project Number	Q1846, Q1847 & Q1848

INTRODUCTION & APPLICATION

Off-highway construction vehicle industry; three requirements for simultaneous fastening of two nuts / bolts, with a range of bolt sizes and four centre pitches.



Q1846



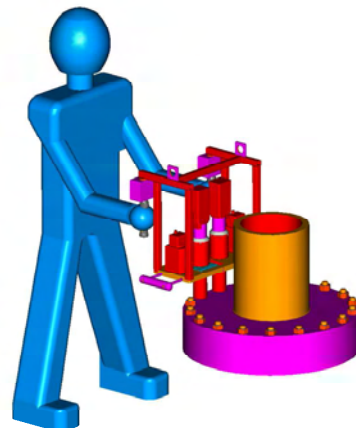
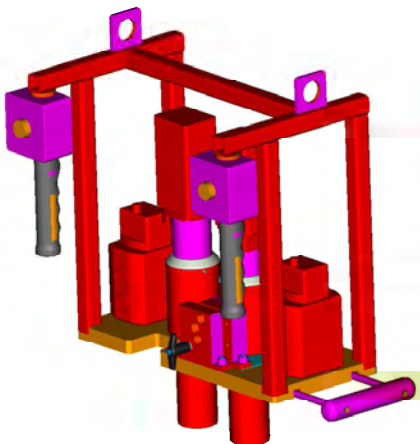
Q1847



Q1848

SOLUTION

Two-spindle units based upon Pneutorque PTM-800, 1350 & 2000 single direction remote stall tools. One fixed tool and one slide mounted tool with four positions via location plunger. Pneumatic control equipment mounted within tool frame. Electrical control in a remote cabinet.



TECHNICAL SPECIFICATION / DATA HIGHLIGHTS

Automatic torque target setting from moving spindle position switches.
Torque reaction taken from adjacent bolt.
Each tool spindle will independently stall once the correct torque is achieved.
Surface drive power sockets used to assist engagement.