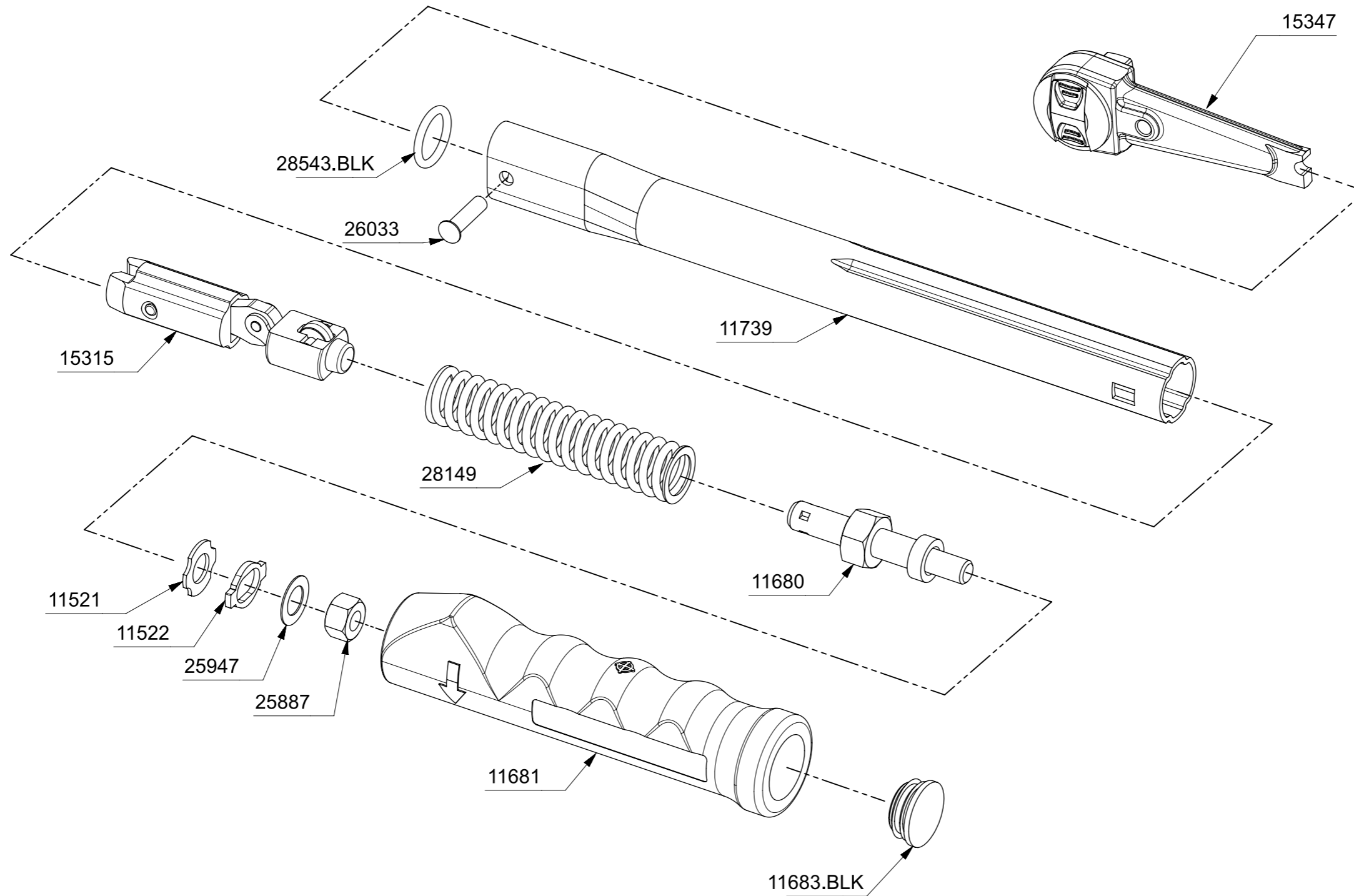
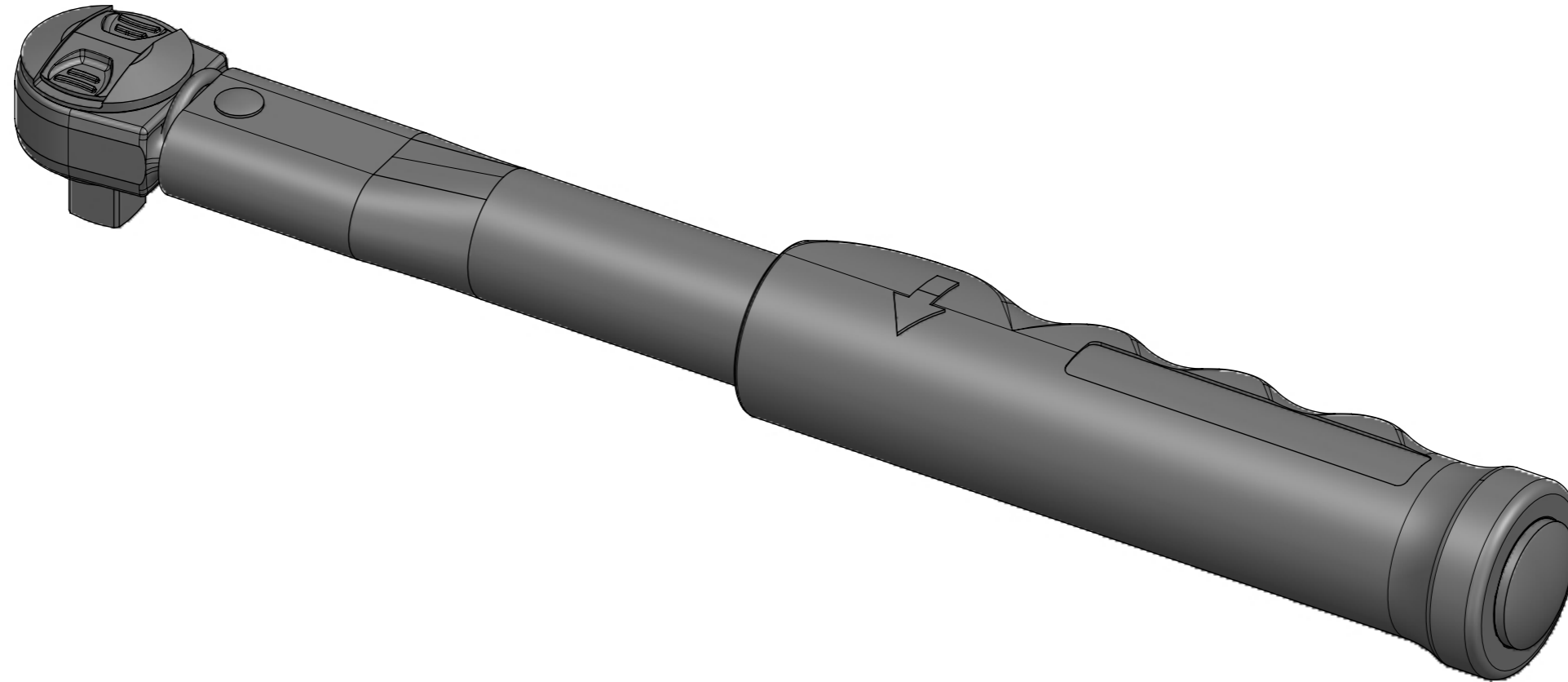


11164 - TW MDL60 P-TYPE 3/8 SQ.DR. N.m



11164 - TW MDL60 P-TYPE 3/8 SQ.DR. N.m



11521	1	SHAPED WASHER
11522	1	END STOP
11680	1	ADJUSTING NUT AND SCREW P TYPE THREADED END.
11681	1	HANDLE P TYPE PRESS ON
11683.BLK	1	END CAP DOMED P TYPE PROF BLACK
11739	1	MDL60 BODY TUBE FOR PROF.
15315	1	SECONDARY MOTION ASSEMBLY
15347	1	REVERSIBLE RATCHET MDL 50 3/8" SQ DR
25887	1	NUT M8 TO DIN 934 ZINC & CLEAR
25947	1	WASHER .39/.395x.65 x.018 REF SR 126J
26033	1	PIVOT PIN TES 3487
28149	1	MK 2 COMP. SPRING FOR TW MECHANISM
28543.BLK	1	O RING 15.54 ID 2.62 SECT BLACK
Part No	Qty	Description