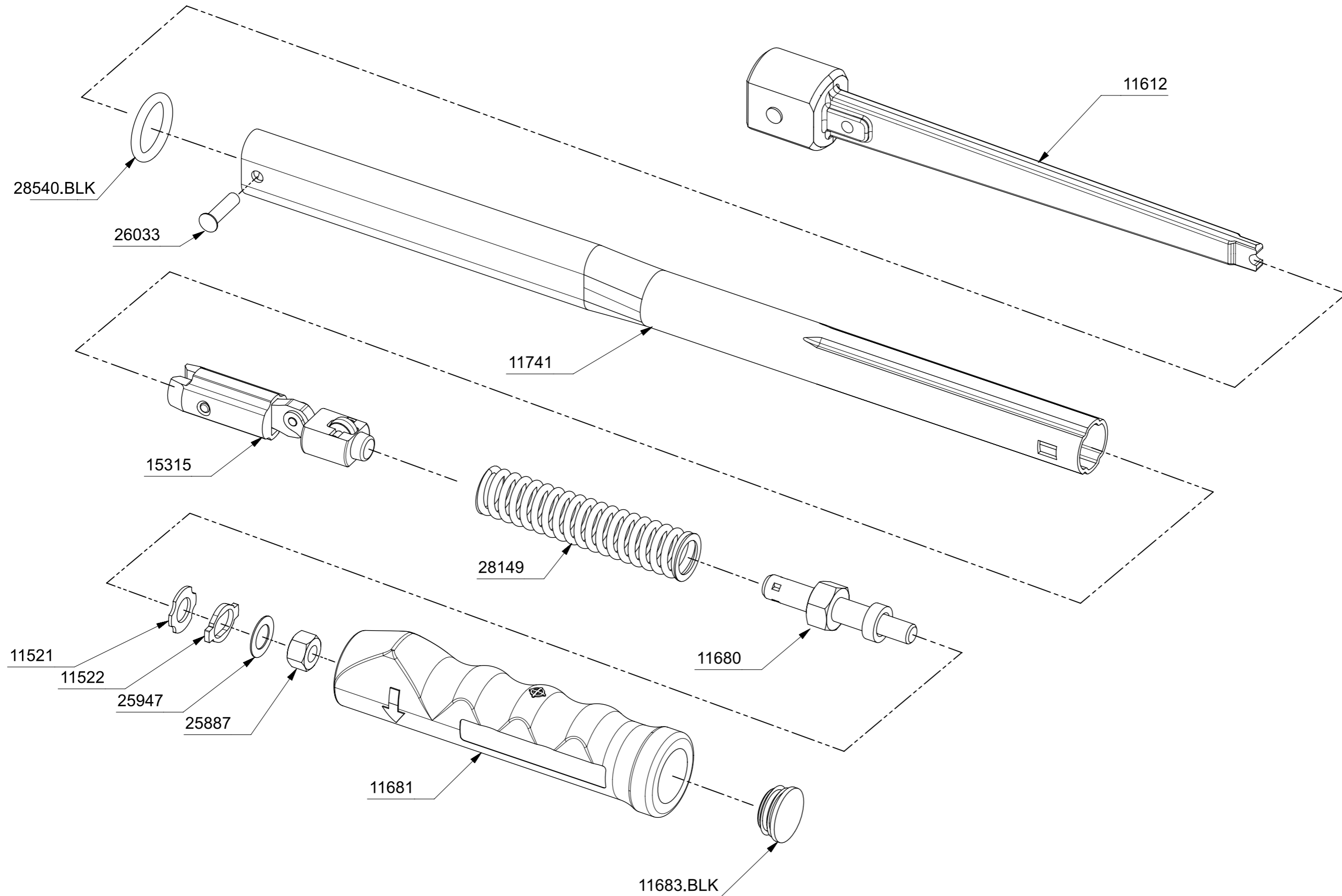
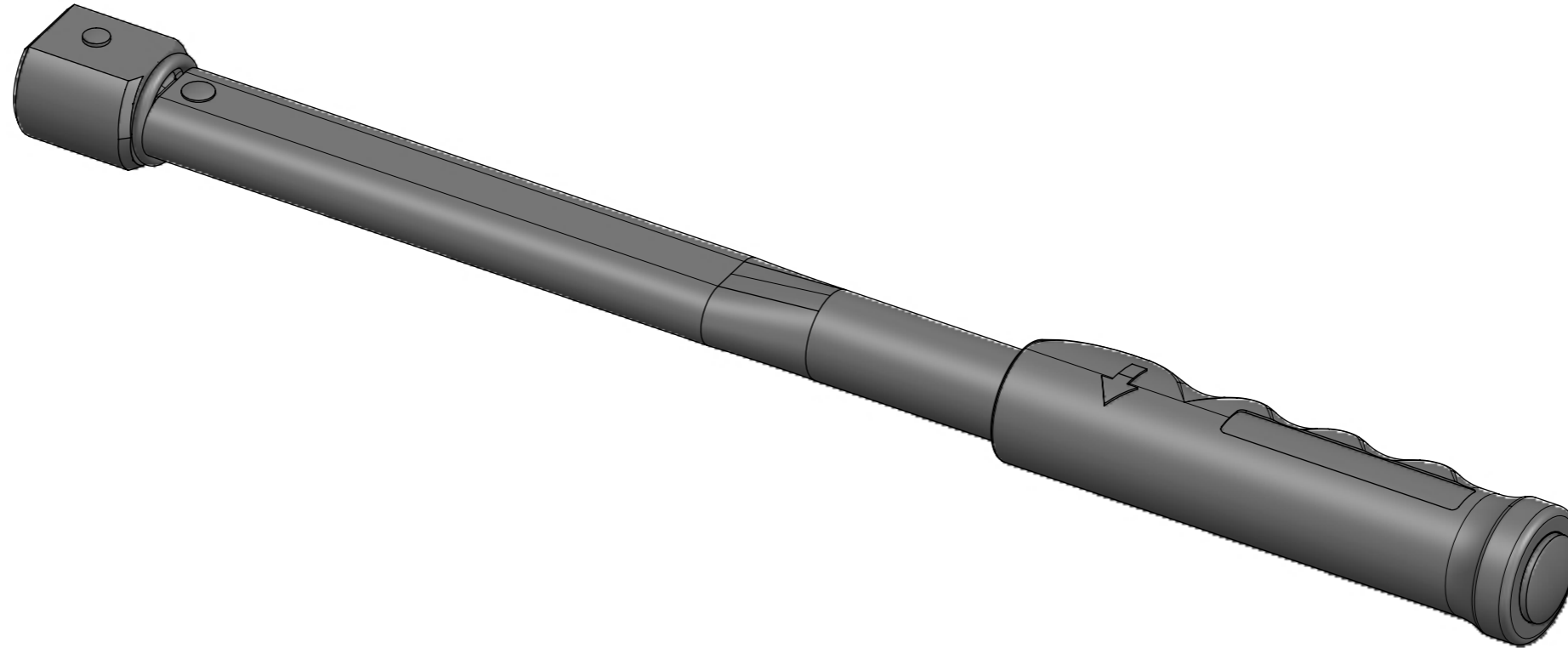


11152 - TH MDL200 P-TYPE FEMALE 14 x 18mm N.m



11152 - TH MDL200 P-TYPE FEMALE 14 x 18mm N.m



11521	1	SHAPED WASHER
11522	1	END STOP
11612	1	LVR ARM 200 FEMALE T/H 14mm x 18mm
11680	1	ADJUSTING NUT AND SCREW P TYPE THREADED END.
11681	1	HANDLE P TYPE PRESS ON
11683.BLK	1	END CAP DOMED P TYPE PROF BLACK
11741	1	MDL200 BODY TUBE
15315	1	SECONDARY MOTION ASSEMBLY
25887	1	NUT M8 TO DIN 934 ZINC & CLEAR
25947	1	WASHER .39/.395x.65 x.018 REF SR 126J
26033	1	PIVOT PIN TES 3487
28149	1	MK 2 COMP. SPRING FOR TW MECHANISM
28540.BLK	1	O RING 15.47 ID 3.53 SECT BLACK
Part No	Qty	Description