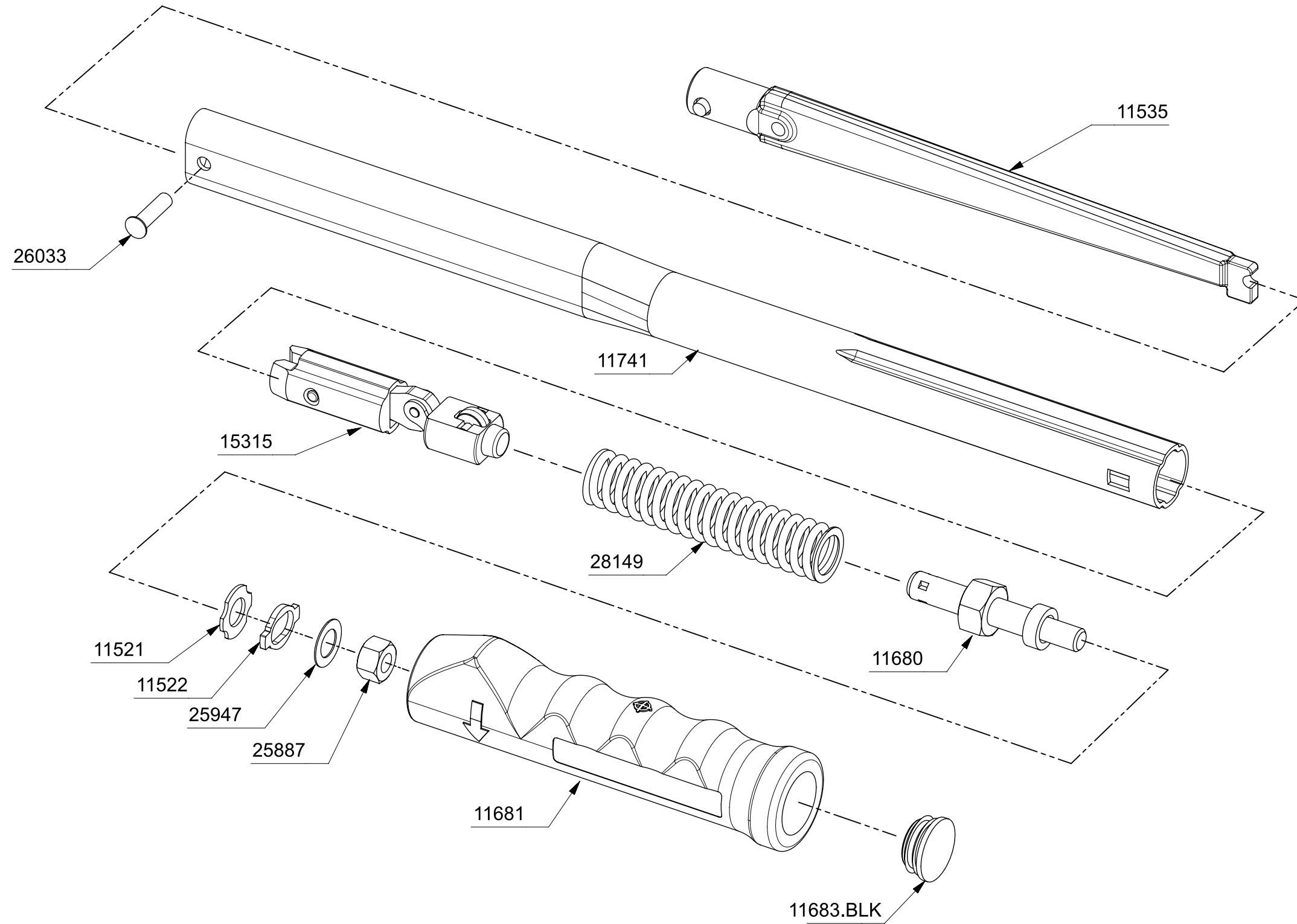
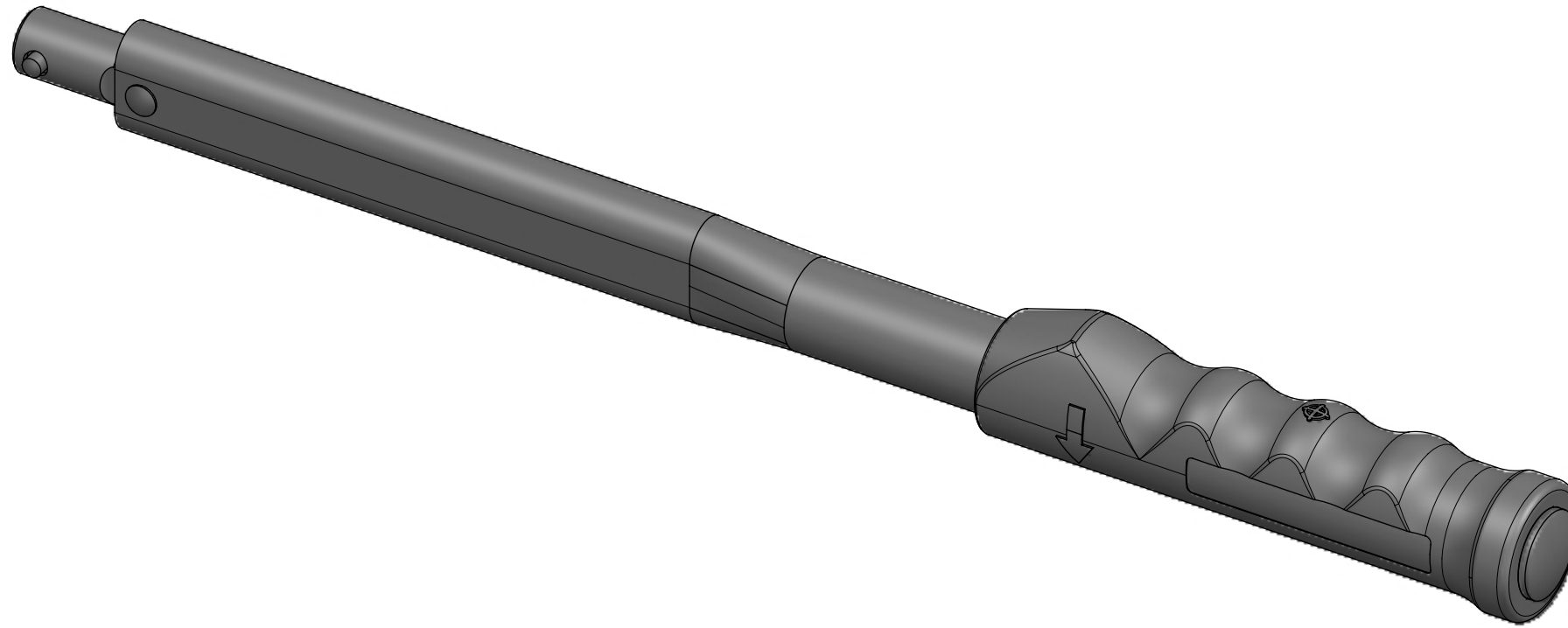


11144 - TH MDL 200 P-TYPE 16mm SPIGOT



11144 - TH MDL 200 P-TYPE 16mm SPIGOT



11521	1	SHAPED WASHER
11522	1	END STOP
11535	1	LVR ARM 200 T/H
11680	1	ADJUSTING NUT AND SCREW P TYPE THREADED END.
11681	1	HANDLE P TYPE PRESS ON
11683.BLK	1	END CAP DOMED P TYPE PROF BLACK
11741	1	MDL200 BODY TUBE
15315	1	SECONDARY MOTION ASSEMBLY
25887	1	NUT M8 TO DIN 934 ZINC & CLEAR
25947	1	WASHER .39/.395x.65 x.018 REF SR 126J
26033	1	PIVOT PIN TES 3487
28149	1	MK 2 COMP. SPRING FOR TW MECHANISM
Part No	Qty	Description