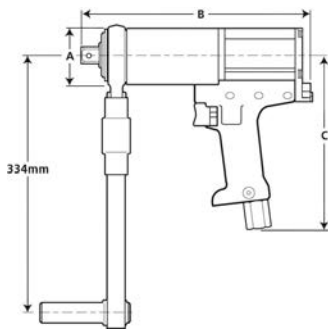


Pneutorque® 72mm Series Single Speed and Automatic Two Speed Models

- 72mm gearbox diameter allows excellent access.
- Powerful – up to 2000 N.m output.
- Switchable forward and reverse operation.
- Quiet – less than 81 dB(A), and non impacting for low operator fatigue.
- 'Soft Start' trigger control aids socket location and allows gradual and safe reaction take up.
- For safety, gearbox can turn independently from the handle. Torque reaction is never transmitted back to the operator.
- All torques can be achieved at less than 6 bar (90 psi).
- Automatic Two Speed models offer all of the advantages of the single speed versions but with the additional benefit of a run down speed five times greater than the final torque speed.



72mm Series, Single Speed

Model	Square Drive	Part No.	Range		Free Speed†	A	B	C	Tool Weight	Reaction Weight
	in		N.m	lbf.ft						
PT 72/500	3/4	18023	90-500	66-370	35	72	301	223	6.4	1.7
PT 72/1000	3/4	18022	190-1000	140-740	15	72	301	223	6.4	1.7
PT 72/1000	1	18026	190-1000	140-740	15	72	301	223	6.4	1.7
PT 72/1500	1	18021	300-1500	220-1110	9	72	301	223	6.4	1.7
PT 72/2000	1	18033	400-2000	300-1450	6	72	301	223	6.4	1.7

† Speed at maximum air pressure.

72mm Series, Automatic Two Speed

Model	Square Drive	Part No.	Range		Free Speed†	A	B	C	Tool Weight	Reaction Weight
	in		N.m	lbf.ft						
PT 72/500 AUT	3/4	18023.AUT	203-500	150-370	170	72	373	223	8.7	1.7
PT 72/1000 AUT	3/4	18022.AUT	488-1000	360-740	75	72	373	223	8.7	1.7
PT 72/1000 AUT	1	18026.AUT	488-1000	360-740	75	72	373	223	8.7	1.7
PT 72/1500 AUT	1	18021.AUT	760-1500	560-1110	45	72	373	223	8.7	1.7
PT 72/2000 AUT	1	18033.AUT	1000-2000	750-1450	30	72	373	223	8.7	1.7

† Speed at maximum air pressure and in high gear.