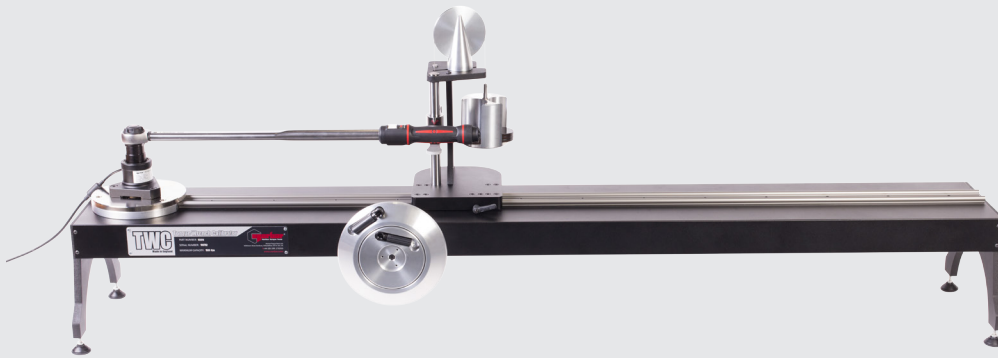




## TORQUE WRENCH CALIBRATOR (TWC)



### Features and Functions

- Enables torque wrench calibration or testing in accordance with ISO 6789:2017 Part 2 if used with T-Box XL™ software version 3.0.0.X and TDMS version 4.0.X.
- Also in accordance with BS EN 26789:2003, ISO 6789:2017 Part 1 and American military standard GGG-W-686
- Counter Balance Reaction system is designed to allow the tool to level to reduce parasitic loads or movements
- Two speed gearbox designed for a sufficient balance of speed and control which allows for both fast loading of the torque wrench and a slower more precise loading
- Lightweight alloy construction ensures the TWC is easily transported, making it particularly suited for mobile laboratory applications
- Works with Flange Mounted Transducers, Static Transducers, T-Box XL™, TST, TTT and Pro-Test (when using part number: 60323)
- During calibration the TWC maintains a fixed position on the handle of the torque wrench
- Rotating transducer design ensures that the load is applied 90° to the torque wrench handle. The benefit of this precise alignment is that forces are applied squarely to the load point of the handle



TWC 400

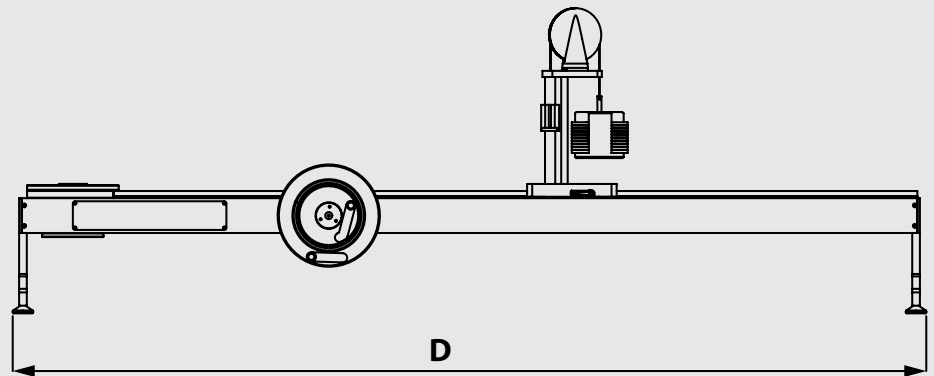
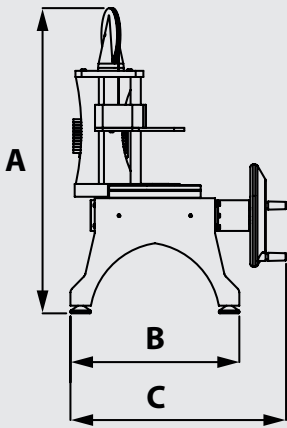


TWC 1500



TORQUE WRENCH CALIBRATOR (TWC)

SPECIFICATION		TWC 400		TWC 1500	
PART NUMBER		60311		60314	
MAXIMUM TORQUE		400 N·m	295 lbf·ft	1500 N·m	1100 lbf·ft
WRENCH LENGTH (TORQUE RADIUS)	MINIMUM	135mm		135mm	
	MAXIMUM	750mm		1500mm	
WRENCH ORIENTATION		Horizontal		Horizontal	
DIMENSIONS	A	596mm		596mm	
	B	330mm		330mm	
	C	421mm		421mm	
	D	1035mm		1785mm	
WEIGHT		35kg		40kg	



Ancillaries

- Static Transducer Support Kit (PN: 60318)
- Short Length Reaction Post (PN: 60319)
- Pro-Test and Static Torque Block Adapter Kit (PN: 60323)
- Bench Mounting Kit (PN: 60326)
- Square Adapters (PN: 29214, 29215, 29216, 29217)
- Quick Release FMT Kit (PN: 60322)
- Hexagon Adapter Kit (PN: 60324)
- FMT 25 Adapter Kit (PN: 60327)