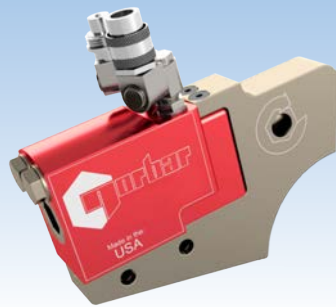


NORBAR TORQUE TOOLS

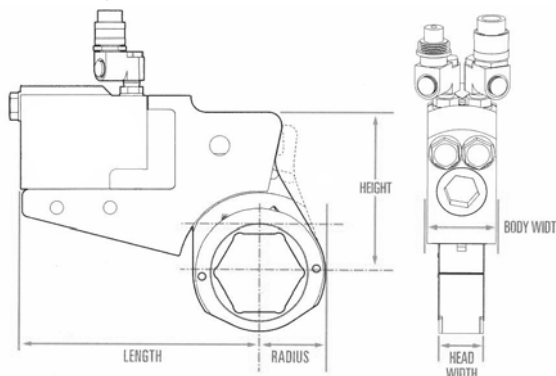
HYDRAULIC TORQUE WRENCH - NHC SERIES

IMPERIAL RANGE



NORBAR HEXAGON CASSETTE (NHC) SERIES

- Precision machined from a durable, high strength and lightweight alloy to increase accuracy, durability and repeatability.
- Every tool has been calibrated to a $\pm 3\%$ accuracy which comes with its own unique Calibration Certificate and pressure settings for better accuracy.
- A reaction pad built into the tools body allows the tool to react against an adjacent nut, with the option of a reaction extension as an accessory.
- A multi-axis porting system allows the swivel fittings to be manually relocated from the top of the tool to the back of the tool using only simple hand tools.
- Light, ergonomic and compact design reduces operator fatigue and allows the tool to fit more applications.



PART NUMBER	MODEL	HEX RANGE	RANGE		DIMENSIONS (inches)				WEIGHT WITH HEAD (lbs)
			N-m	lbf-ft	LENGTH	HEIGHT	BODY WIDTH	HEAD WIDTH	
73220	NHC-1	3/4" - 2"	159 - 1,754	117 - 1,294	6.250	4.000	1.100	0.950	7.25
73221	NHC-3	1 1/4" - 2 1/4"	399 - 4,168	294 - 3,074	7.000	5.750	1.450	1.075 or 1.200	9.25
73222	NHC-7	2" - 3 7/8"	904 - 9,354	667 - 6,899	9.250	6.250	1.500	1.500	14.00
73223	NHC-10	2 3/8" - 4 1/4"	1,342 - 13,423	990 - 9,900	9.750	8.000	1.950	1.950	24.50
73224	NHC-17	2 3/4" - 5 3/8"	2,051 - 21,627	1,513 - 15,951	11.250	9.250	1.950	2.450	42.00
73225	NHC-25	3 1/2" - 5 3/4"	3,064 - 32,024	2,260 - 23,620	11.250	9.250	2.900	2.950	57.00
73226	NHC-50	4 5/8" - 7 1/4"	4,711 - 60,720	3,475 - 44,785	15.375	10.500	2.900	2.950	85.00

NOTE: When ordering your NHC body please also order the appropriate Hex Link Cassette(s), either Imperial or Metric for your application(s).



UNITED KINGDOM
 Tel + 44 (0)1295 753600
 Email enquiry@norbar.com



AUSTRALIA
 Tel + 61 (0)8 8292 9777
 Email enquiry@norbar.com.au



USA
 Tel + 1 866 667 2272
 Email inquiry@norbar.us



SINGAPORE
 Tel + 65 6841 1371
 Email enquires@norbar.sg



CHINA
 Tel + 86 21 6145 0368
 Email sales@norbar.com.cn



INDIA
 Tel + 91 22 2778 8480
 Email enquiry@norbar.in



NORBAR TORQUE TOOLS

HYDRAULIC TORQUE WRENCH - NHC SERIES

IMPERIAL RANGE

IMPERIAL HEX LINK CASSETTES AVAILABLE FOR NHC

	PART NUMBER	DIMENSIONS (inches)		
		ACROSS FLATS	RADIUS	C/R
FOR USE WITH NHC-1	73240.112	¾	1.07	0.41
	73240.117	1 ¼	1.18	0.34
	73240.120	1 ¼	1.29	0.34
	73240.123	1 ⅞	1.40	0.34
	73240.126	1 ⅝	1.51	0.34
	73240.129	1 ⅜	1.61	0.34
	73240.132	2	1.72	0.34

	PART NUMBER	DIMENSIONS (inches)		
		ACROSS FLATS	RADIUS	C/R
FOR USE WITH NHC-3	73241.120	1 ¼	1.38	0.35
	73241.123	1 ⅞	1.46	0.35
	73241.126	1 ⅝	1.57	0.35
	73241.129	1 ⅜	1.70	0.40
	73241.130	1 ⅞	1.79	0.46
	73241.132	2	1.79	0.40
	73241.135	2 ⅜	1.90	0.40
	73241.138	2 ⅜	1.97	0.40
	73241.141	2 ⅞	2.12	0.46
	73241.144	2 ¾	2.24	0.46
	73241.147	2 ⅝	2.36	0.46

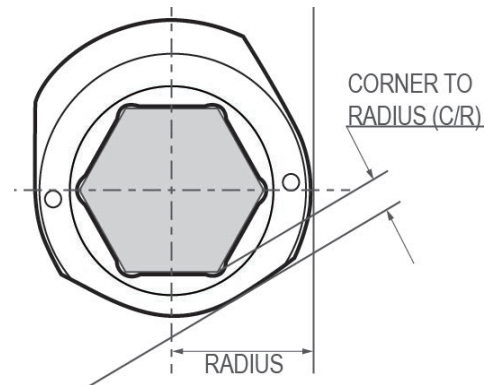
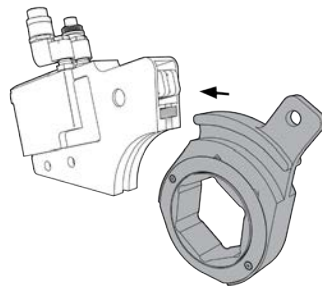
	PART NUMBER	DIMENSIONS (inches)		
		ACROSS FLATS	RADIUS	C/R
FOR USE WITH NHC-7	73242.132	2	1.80	0.47
	73242.135	2 ⅜	1.88	0.47
	73242.138	2 ⅝	2.02	0.47
	73242.141	2 ⅞	2.15	0.47
	73242.144	2 ¾	2.40	0.55
	73242.147	2 ⅝	2.55	0.50
	73242.150	3 ⅝	2.62	0.55
	73242.156	3 ½	2.85	0.63
	73242.162	3 ⅞	3.04	0.60

	PART NUMBER	DIMENSIONS (inches)		
		ACROSS FLATS	RADIUS	C/R
FOR USE WITH NHC-10	73243.138	2 ⅝	2.02	0.45
	73243.141	2 ⅞	2.15	0.47
	73243.144	2 ¾	2.40	0.55
	73243.147	2 ⅝	2.55	0.50
	73243.150	3 ⅝	2.62	0.55
	73243.156	3 ½	2.85	0.85
	73243.162	3 ⅞	3.07	0.85
	73243.168	4 ¼	3.26	0.85

	PART NUMBER	DIMENSIONS (inches)		
		ACROSS FLATS	RADIUS	C/R
FOR USE WITH NHC-17	73244.144	2 ¾	2.50	0.90
	73244.147	2 ⅝	2.62	0.90
	73244.150	3 ⅝	2.70	0.90
	73244.156	3 ½	2.90	0.90
	73244.162	3 ⅞	3.18	0.95
	73244.168	4 ¼	3.35	0.96
	73244.174	4 ⅝	3.58	0.96
	73244.180	5	3.90	1.00
	73244.186	5 ⅝	4.10	1.00

	PART NUMBER	DIMENSIONS (inches)		
		ACROSS FLATS	RADIUS	C/R
FOR USE WITH NHC-25	73245.156	3 ½	2.90	0.87
	73245.162	3 ⅞	3.18	0.95
	73245.168	4 ¼	3.35	0.90
	73245.174	4 ⅝	3.58	0.90
	73245.180	5	3.85	0.96
	73245.186	5 ⅝	4.10	1.00
	73245.192	5 ¾	4.32	1.02

	PART NUMBER	DIMENSIONS (inches)		
		ACROSS FLATS	RADIUS	C/R
FOR USE WITH NHC-50	73246.174	4 ⅝	3.92	1.25
	73246.180	5	4.13	1.25
	73246.186	5 ⅝	4.35	1.25
	73246.192	5 ¾	4.57	1.25
	73246.198	6 ⅝	4.78	1.25
	73246.1104	6 ½	5.00	1.25
	73246.1110	6 ⅞	5.22	1.25
	73246.1116	7 ¼	5.43	1.25



NOTE: Metric sizes are also available (see 07565.MET for details) and non-common sizes can be made to order.



UNITED KINGDOM
 Tel + 44 (0)1295 753600
 Email enquiry@norbar.com



AUSTRALIA
 Tel + 61 (0)8 8292 9777
 Email enquiry@norbar.com.au



USA
 Tel + 1 866 667 2272
 Email inquiry@norbar.us



SINGAPORE
 Tel + 65 6841 1371
 Email enquires@norbar.sg



CHINA
 Tel + 86 21 6145 0368
 Email sales@norbar.com.cn



INDIA
 Tel + 91 22 2778 8480
 Email enquiry@norbar.in