

ENGINEER TO ORDER

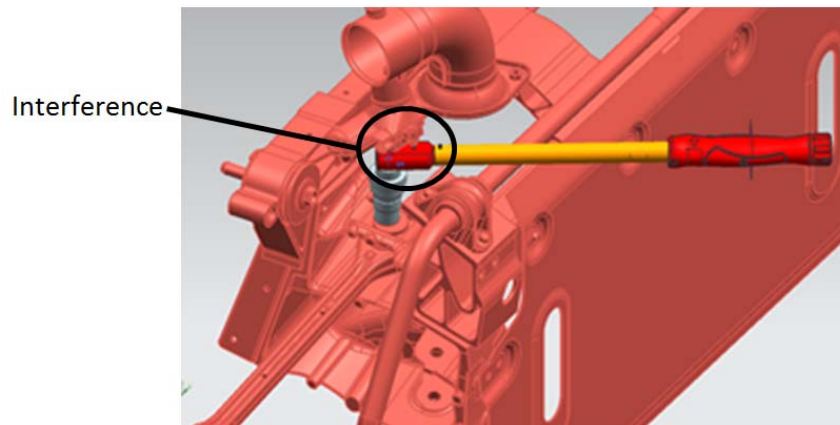
SPECIAL PROJECT INFORMATION SHEET



Project Description	Cranked spanner end with 1/2" square drive ratchet & 16mm spigot		
Date created	23 June 2016	Project Number	Q3603

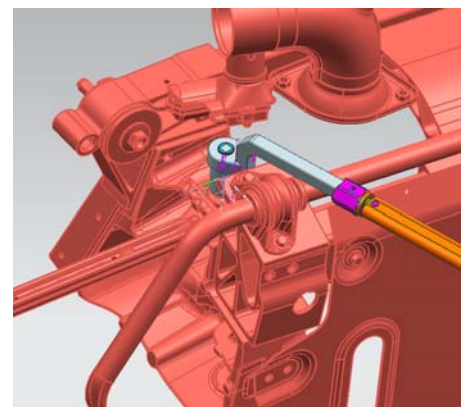
INTRODUCTION & APPLICATION

Automotive manufacturer has a bolting application with restricted access.
Standard wrench and 18mm A/F socket for 115 N.m torque fouls overhanging equipment.



SOLUTION

Special cranked spanner end with 1/2" square drive reversible ratchet & 16mm female spigot.
Smaller 100 N.m standard torque handle can be used due to the spanner end length increase.



Cranked spanner end clears all obstructions

TECHNICAL SPECIFICATION / DATA HIGHLIGHTS

Supplied with # 11143 Model 100 torque handle with 16mm male spigot.
Torque handle pre-set # SQ2222 to 73.5 N.m for 115 N.m at bolt with 160mm CRS spanner end.