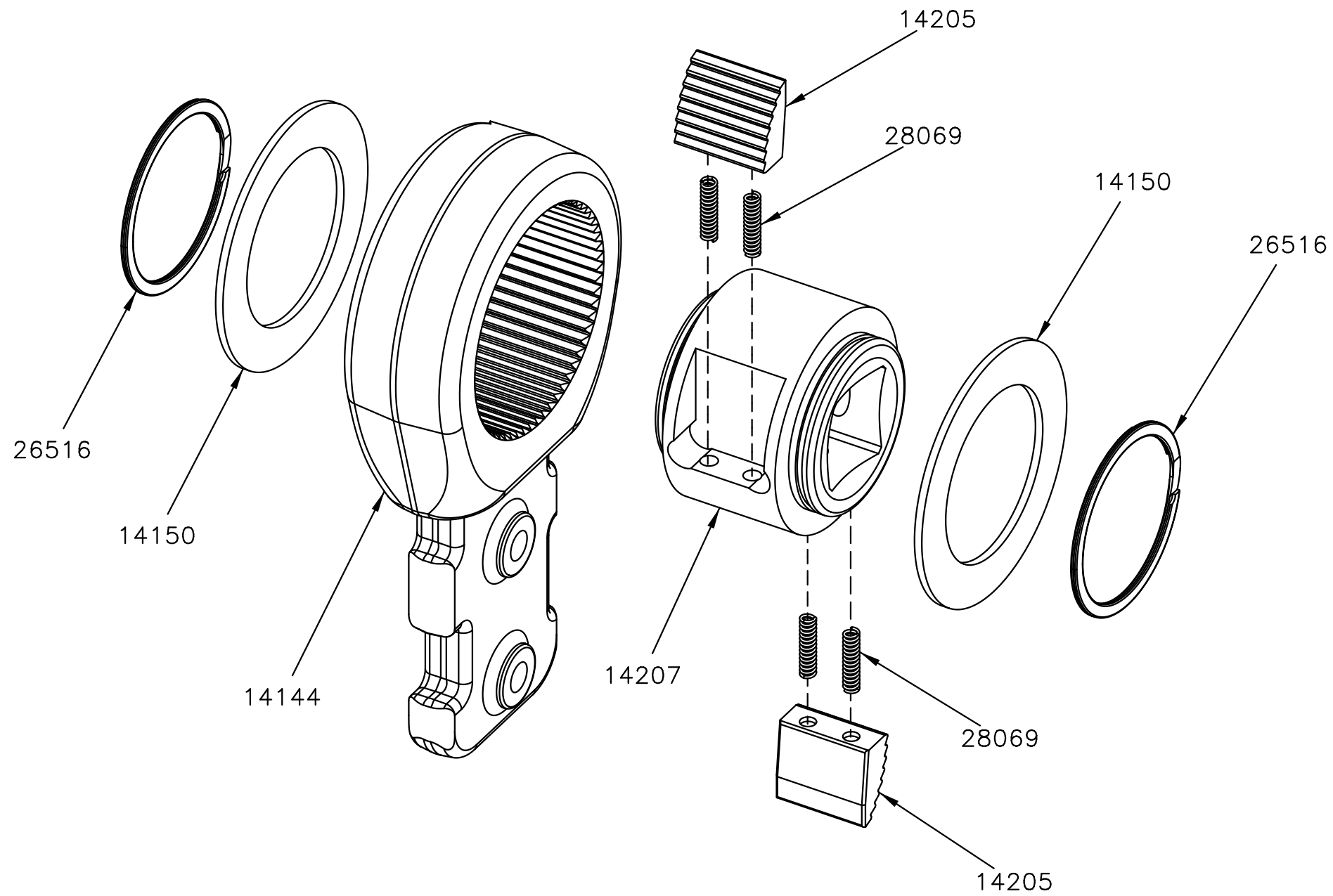


# 14162 - RATCHET ASSY MDL550



14150	2	RATCHET WASHER SMALL MDL 550-1500
14205	2	RATCHET PAWL SMALL 550Nm WRENCH
14144	1	RATCHET HOUSING 550Nm IND WRENCH
14207	1	RATCHET CENTRE SMALL MDL 550Nm PROF WRENCH
26516	2	CRCLP 35 DIA EXT. SPIRAL
28069	4	COMP SPRG.3.2DIA12.5LG0.5WD
Part No	Qty	Description