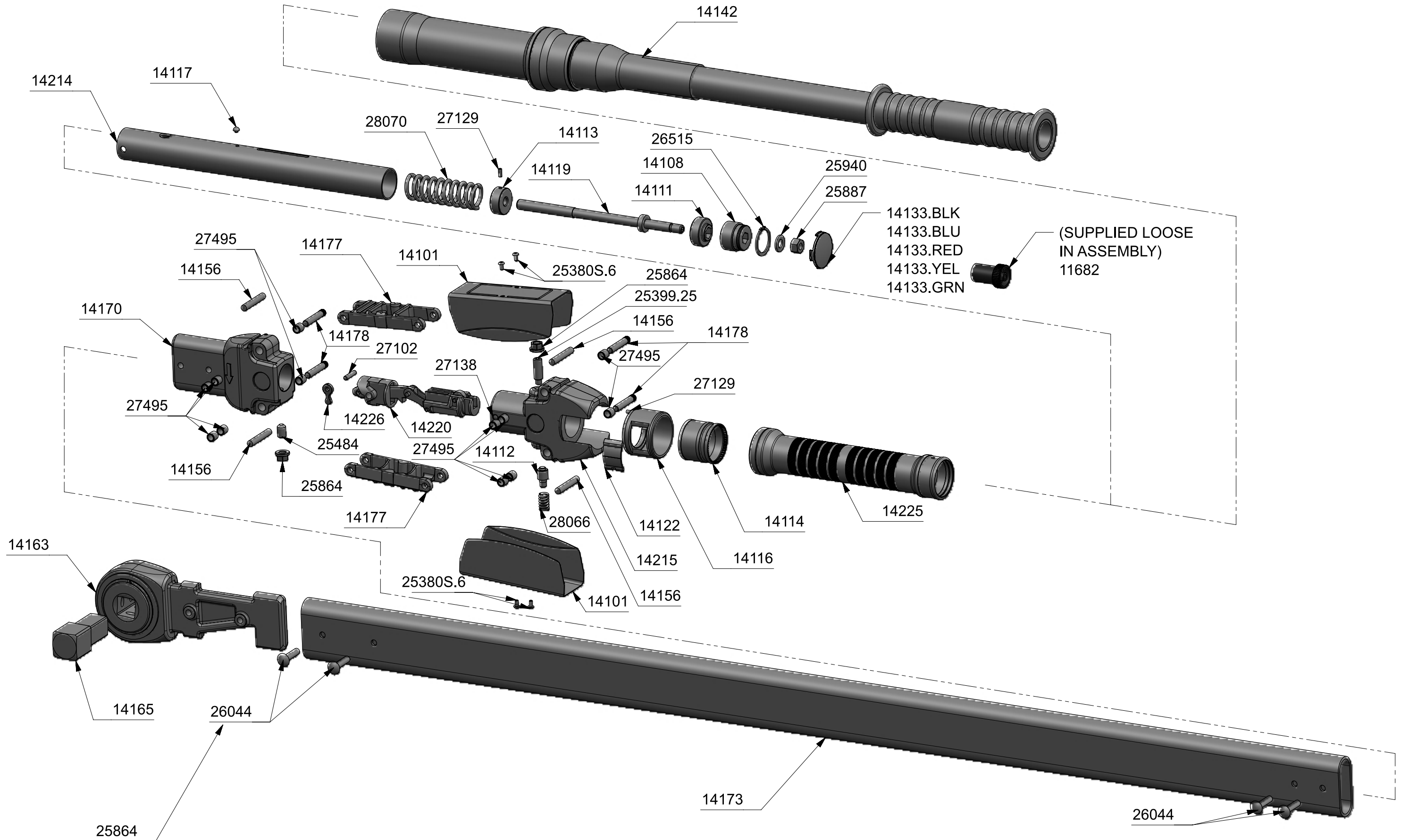


# 14010 - TW MDL 1500 P 1in SQ Nm/lbf.ft



# 14010 - TW MDL 1500 P 1in SQ Nm/lbf.ft



27138	1	CYLINDRICAL ROLLER DIA 6 X 36 LG
14114	1	SCALE ROTATING GEAR MDL 550-1500
14116	1	SCALE MECHANISM COVER MDL 550-1500
14122	1	SCALE LENS COVER MDL 550-1500
27495	12	DP4 BUSH 6 I/D x 8 LONG 0608DP4
14142	1	EXTENSION HANDLE ASSEMBLY MDL 550-1500
14173	1	BODY TUBE MODEL 1500
25399.25	1	SSS M8x25LG DOG POINT - 12.9 TO ISO4028
25484	1	PIVOT SCREW
14165	1	SQ DR ASSY 1-MDL 1000/1500
28066	1	SPRG/COMP 9.6 O/D x 14.5 LG
28070	1	COMP.SPRING 25OD.x75LGx3.30WD
14215	1	REAR SUPPORT BLOCK MDL 550-1500 [Mk2]
26044	4	RIVET SEMI-TUBE MDL 1000/1500
25380S.6	4	BUT.HD M3 x 6 STAINLESS WITH TUFLOCK TO ISO 7380
14225	1	MK2 HANDLE SLEEVE LARGE PROFESSIONAL
14170	1	FRONT SUPPORT BLOCK 1500Nm
14101	2	SADDLE PLATE MDL 550-1500
14156	4	SEAL 6MM DIA x 36LG NEO. CORD MDL 550-1500
14111	1	LOCK NUT MDL 550-1500
14112	1	DAMPING PISTON MDL 550-1500
14113	1	ADJUSTING NUT MDL 550-1500
14119	1	ADJUSTING SCREW P TYPE MDL 550-1500
14220	1	SECONDARY LEVER ASSY FOR MDL 500-1500
14163	1	RATCHET ASSY MDL1000/1500
14214	1	HANDLE TUBE FOR MDL 550-1500 [Mk2]
14178	4	PIVOT PIN UPRATED
27129	3	NEEDLE ROLLER NRA 3x7.8 G2
14177	2	LINK FRAME MDL 550-1500 UPRATED VERSION
25887	1	NUT M8 TO DIN 934 ZINC & CLEAR
14108	1	HANDLE ARBOR P TYPE MDL 550-1500
14117	1	LOCKING PIN P TYPE MDL 550-1500
25940	1	WASHER M8 FORM A TO ISO 7089 ZINC & CLEAR
14133.BLK	1	END CAP P TYPE-BLACK
14133.BLU	1	END CAP P TYPE-BLUE
14133.GRN	1	END CAP P TYPE-GREEN
14133.RED	1	END CAP P TYPE-RED
14133.YEL	1	END CAP P TYPE-YELLOW
27102	1	NEEDLE ROLLER NRA 4.0 DIA X 17.8 LG G2
26515	1	CRCLP 24MM DIA EXT. TO DIN 471
14226	1	MK2 SECONDARY LEVER PIVOT PIN MDL550-1500
25864	2	M8 MANIFOLD 'K' NUT