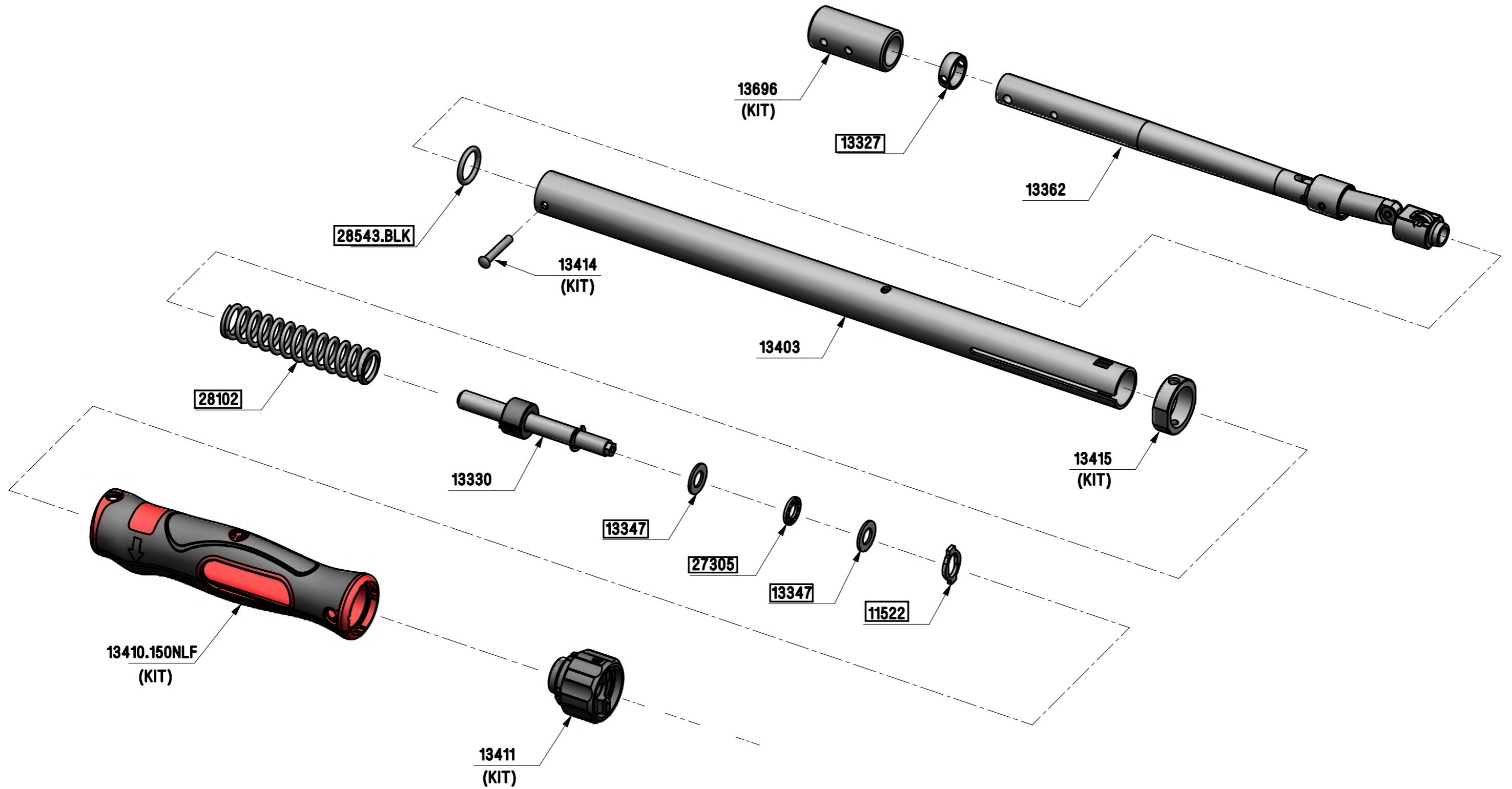


13604 – TW TTFTH 150 9X12 FEMALE END – N.m/lbf.ft – SPARES LISTING



ALL BOXED PART NUMBERS ARE SUBJECT TO A MINIMUM ORDER QUANTITY