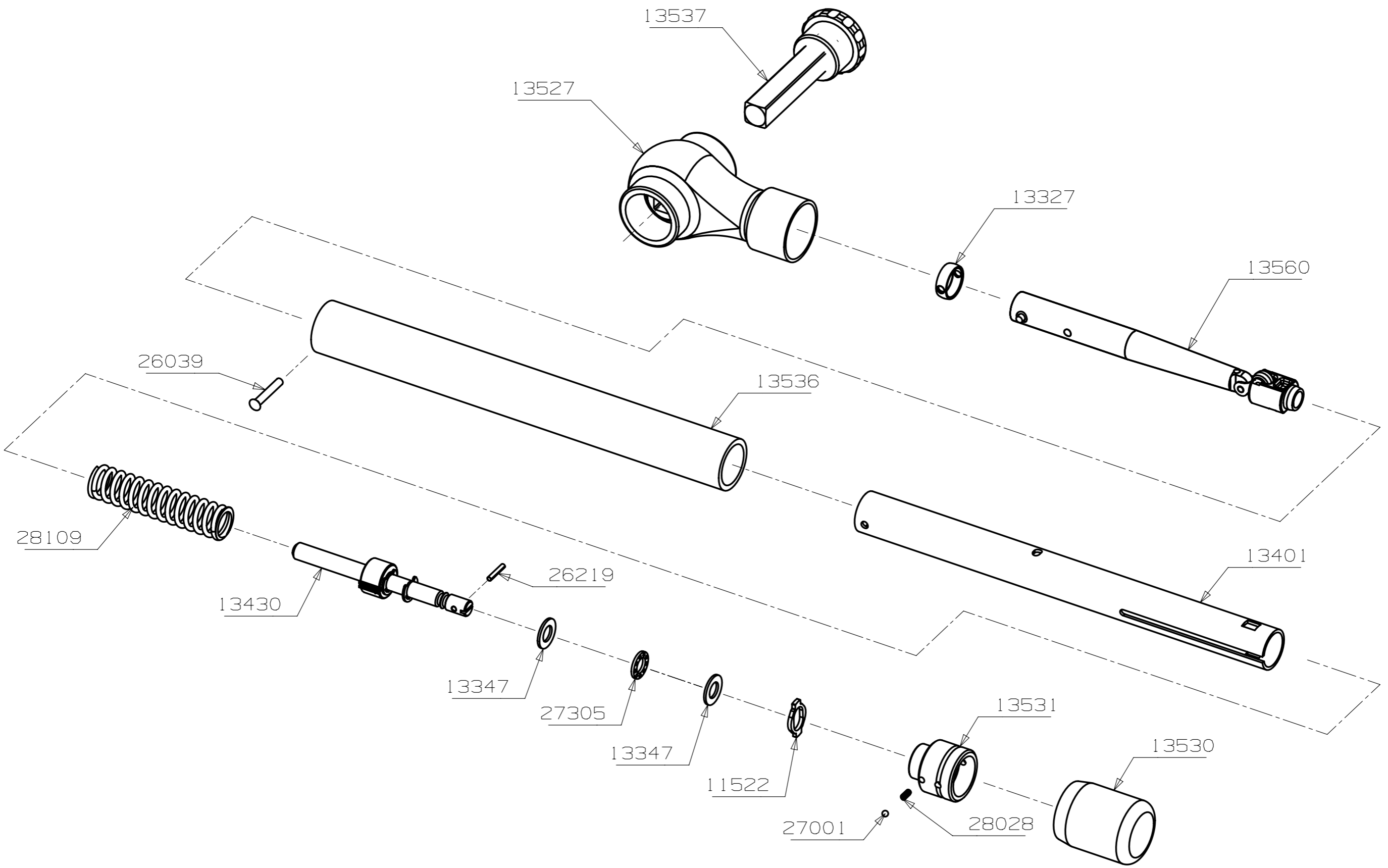
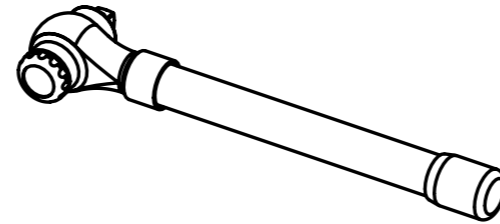


# 13541 - TW TT60 1/2" SQ DR. INSULATED



# 13541 - TW TT60 1/2" SQ DR. INSULATED



13536	1	INSULATED NYLON BODY TUBE COVER
28109	1	TRUTORQUE COMP SPRING LBF.FT
13527	1	INSULATED 1/2 SQ DR PT RATCHET ASSY
26219	1	TENSION PIN 3/32IN DIA X 9/16IN
13530	1	ADJUSTING KNOB INSULATED COVER
28028	1	SPRG/COMP 3DIAx6.35x0.5WD
13560	1	TT50 INSULATED T/W PLUNGERED L/ARM ASSEMBLY
11522	1	END STOP
13347	2	TRUTORQUE HARDENED WASHER
27305	1	SPECIAL THRUST BEARING FOR TORQUE WRENCHES
27001	1	STEEL BALL 1/8IN DIA
13401	1	TRUTORQUE TT50 BODY TUBE SATIN
13327	1	TRUTORQUE 16MM ID OLIVE
13430	1	TRUTORQUE EXTENDED ADJ SCREW ASSY FOR INSULATED T/W
13537	1	SQ. DRIVE AND MUSHROOM ASSY FOR 1/2 INSULATED T/W
13531	1	TRUTORQUE INSULATED T/W ADJUSTING KNOB
26039	1	RIVET SEMI-TUBULAR FOR SLIM LINE
Part No	Qty	Description