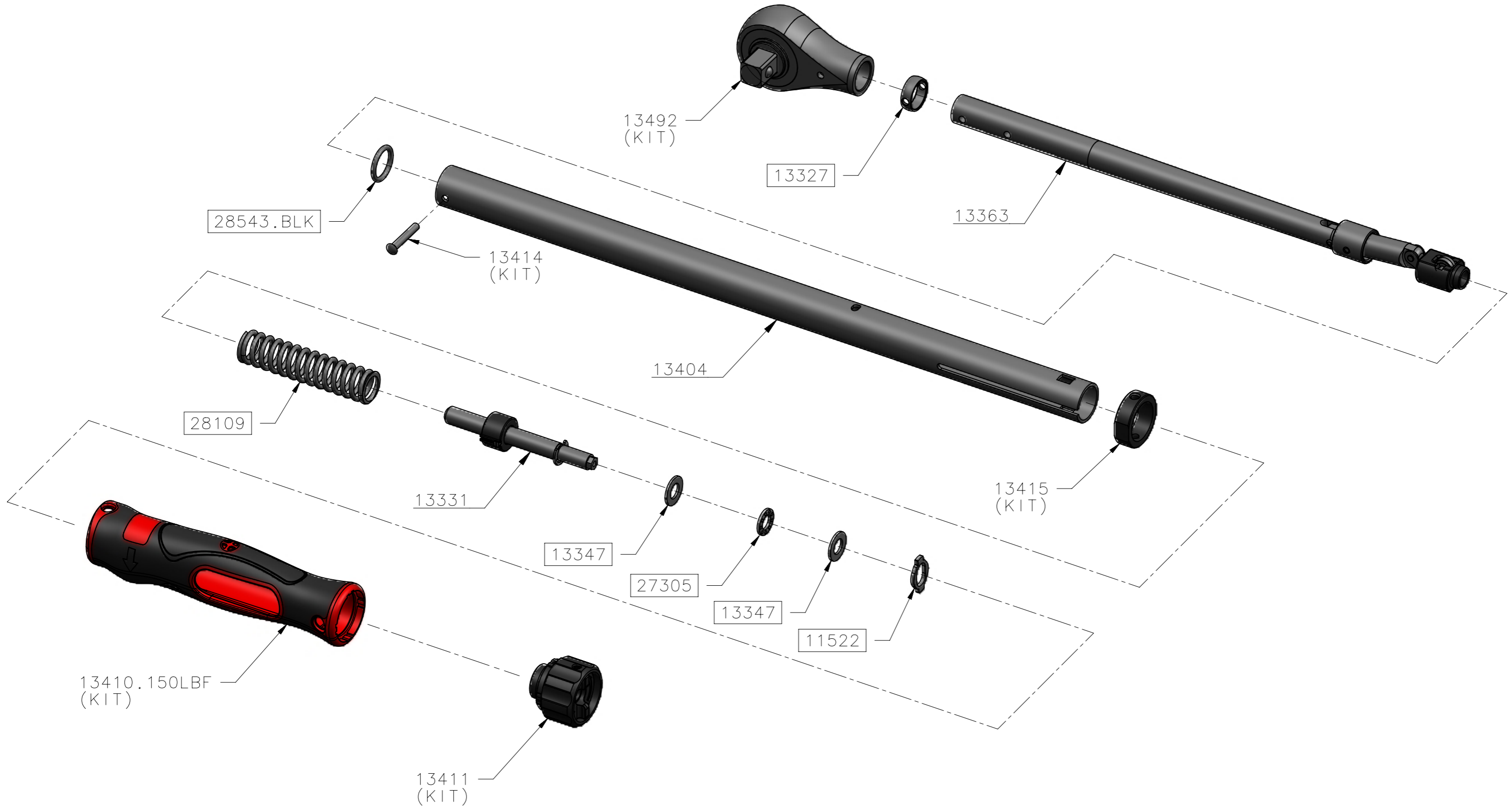


# 13463 – TW TTi150 1/2 SQ lbf.ft ONLY



ALL BOXED PART NUMBERS ARE SUBJECT TO A MINIMUM ORDER QUANTITY