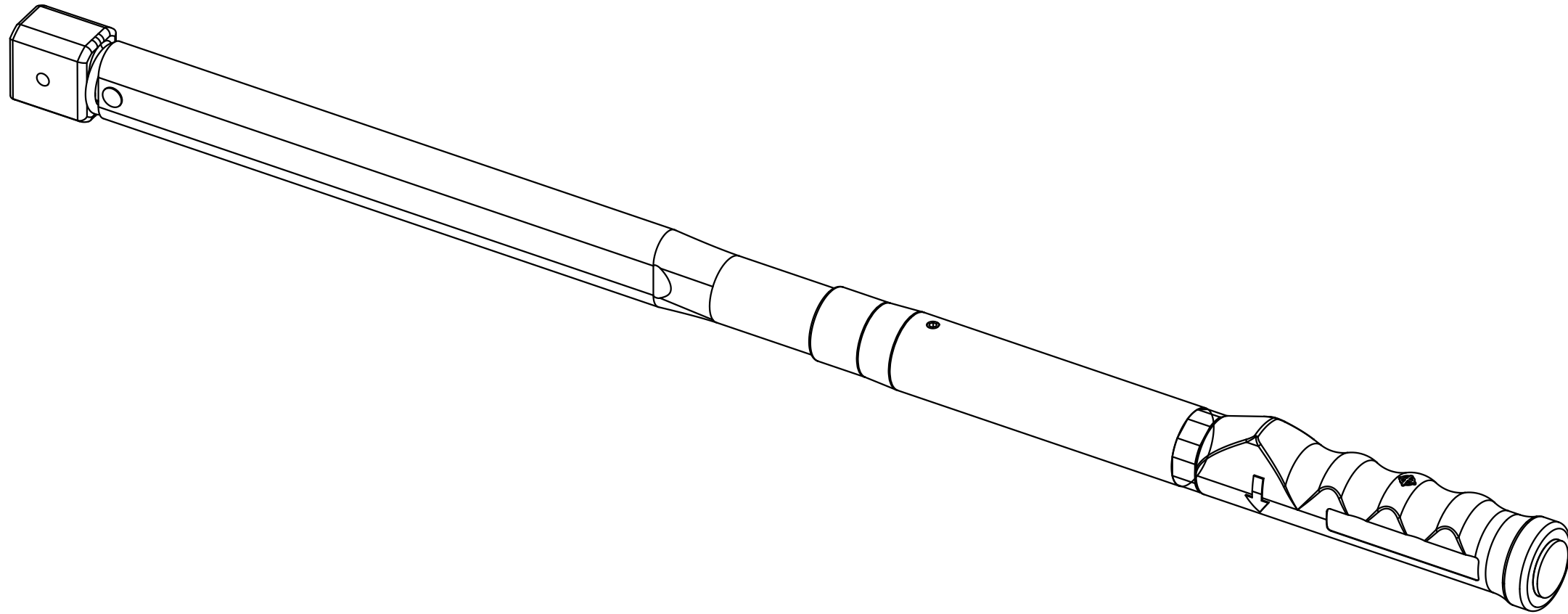


13068 - TH MDL 400 'P' TYPE FEMALE 14 x 18mm



11521	1	SHAPED WASHER
11522	1	END STOP
11627	1	SPACER MDL 300
11680	1	ADJUSTING NUT AND SCREW P TYPE THREADED END
11681	1	HANDLE P TYPE PRESS ON
11682	1	SOCKET 13mm AF FOR P TYPE PROFESSIONAL ADJUSTING
11683.BLK	1	END CAP DOMED P TYPE PROF BLACK
11760	1	TRANSVERSE LINK ASSY FOR MDL400 PROF TW
13218	1	MDL 400 14 X 18 LEVER
13233	1	MDL400 BODY TUBE ASSY (Mk2)
13244	1	MK2 ADJUSTING SCREW HOUSING FOR MDL400
25496	1	SCR SKT GRUB M5x6 LG OVAL
25497	1	M5 X 6 SSS HALF DOG
25887	1	HEX.NUT.M8 H.TEN.
25947	1	WASHER .39/.395 x .65 x .018 REF SR 126J
26045	1	PIN PIVOT MDL400
28040	1	SPRING 16.51DIAx97.53LG
28540.BLK	1	O RING BLACK VITON BS208
Part No	Qty	Description