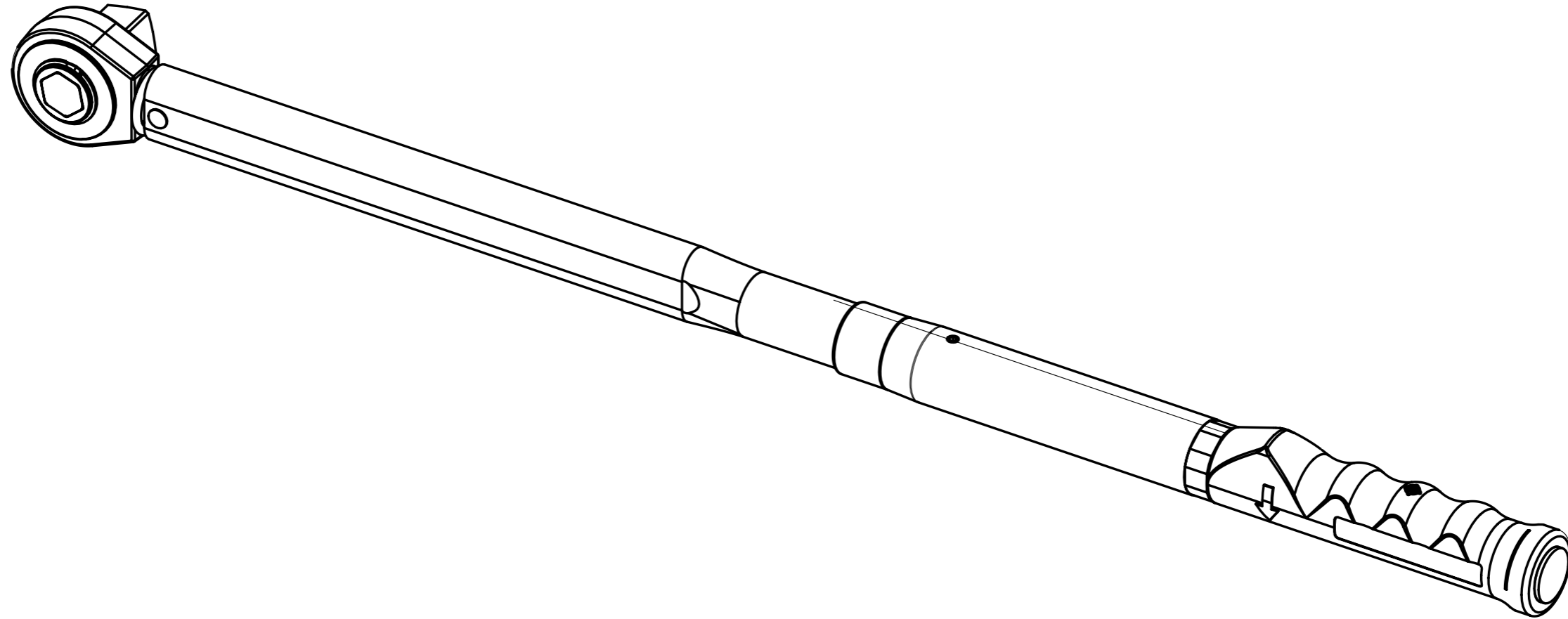


13056 - TW MDL 400 'P' TYPE 3/4" SQ. DR. PTR



25947	1	WASHER .39/.395x.65 x.018 REF SR 126J	4
25887	1	HEX.NUT.M8 H.TEN.	1
11680	1	ADJUSTING NUT AND SCREW P TYPE THREADED END.	13
11681	1	HANDLE P TYPE PRESS ON	5
28540.BLK	1	O RING 15.47 ID 3.53 SECT BLACK	2
28116	1	COMP SPRING FOR TRUTORQUE TT50 103-108	5
25497	1	M5 X 6 SSS HALF DOG	1
11683.BLK	1	END CAP DOMED P TYPE PROF BLACK	10
11627	1	SPACER MDL 300	7
11521	1	SHAPED WASHER	3
11522	1	END STOP	5
11760	1	TRANSVERSE LINK ASSY FOR MDL400 PROF TW	3
13244	1	MK2 ADJUSTING SCREW HOUSING FOR MDL400	1
13233	1	MDL400 BODY TUBE ASSY (Mk2)	3
13176	1	RATCHET ASSY MDL400 3/4 4-PAWL	1
25496	1	SCR SKT GRUB M5 x 8LF OVAL	2
26045	1	PIN PIVOT MDL400	1
Part No	Qty	Description	Rev