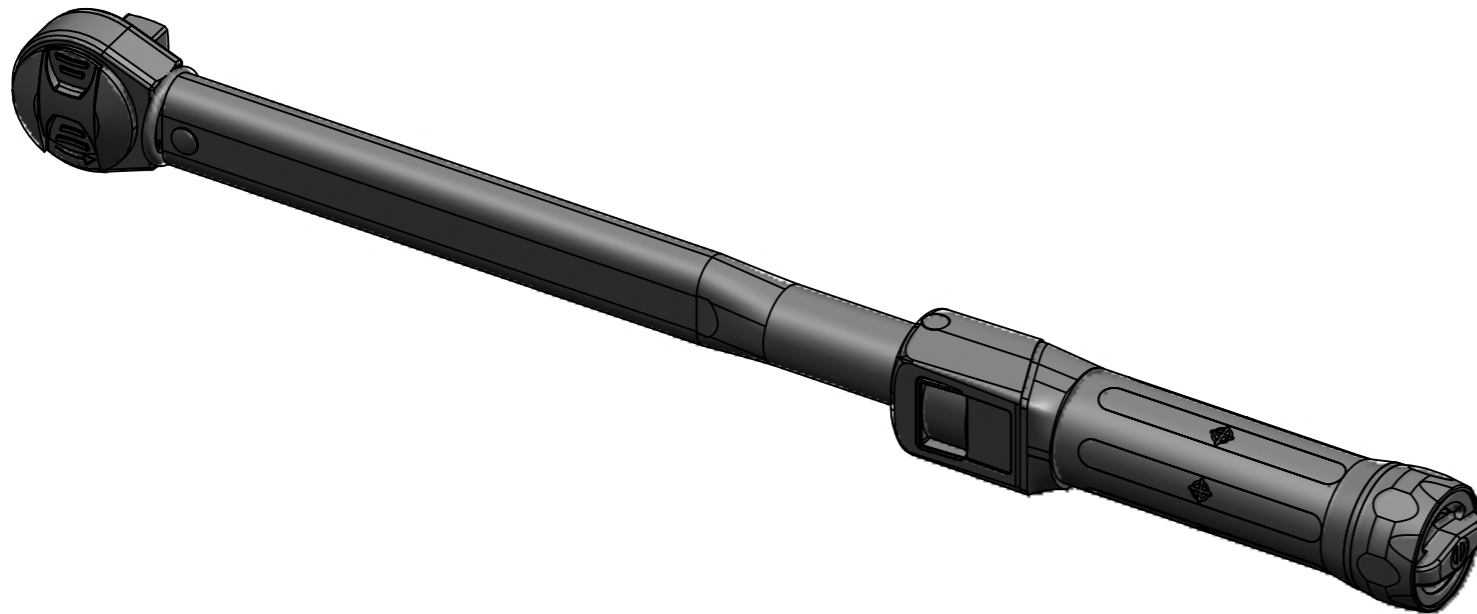






# 13014 - TW MDL200 ADJ 1/2 SQ. DR.

ISSUE 21  
06JAN17  
ECN-007364



11515	1	STATIONARY GEAR FOR PROF. WRENCH.
28540.BLK	1	O RING 15.47 ID 3.53 SECT BLACK
13229	1	MDL200 BODY TUBE - 2 SHOT MK2
11538	1	CLEAR LENS FOR PROFESSIONAL WRENCH
26491	1	SPRING CLIP 8-11 DIA EXT RSM.7
25496	1	SCR SKT GRUB M5 x 8LF OVAL
25497	1	SSS M5X5LG DOG POINT -12.9 TO ISO4028
13130	1	SCALE ROTATING CAM
11516	1	TRANSVERSE LINK ASSY PROFESSIONAL
15343	1	REVERSIBLE RATCHET MDL 200 1/2 SQ DR
13148	1	STATIONARY HANDLE ASSY
13208	1	ROTATING HANDLE ASSY MARK II
13226	1	THRUST WASHER - 2 SHOT Mk2
13210	1	HANDLE END PIECE
28091	1	WAVE SPRING FOR 2 SHOT HANDLE ASSY MARK II
13209	1	SCALE ADJUSTING SHAFT
13207	1	LOCKING KNOB MARK II
13137	1	SCALE MECHANISM COVER
26033	1	PIVOT PIN TES 3487
11521	1	SHAPED WASHER
11522	1	END STOP
27305	1	SPECIAL THRUST BEARING FOR TORQUE WRENCHES
11514	1	SCALE ROTATING GEAR FOR PROF. WRENCH
28096	1	COMP. SPRING FOR TW MECHANISM
13347	1	TRUTORQUE HARDENED WASHER
13241	1	PROF ADJ SCREW 2 SHOT HANDLE MK2
25938	1	WASHER M4 STD. FLAT TO DIN125/ISO7089
13132	1	END BUNG
11523	1	HANDLE LOCKING COLLAR
11672	1	DRIVE SLEEVE FOR SCREW
25351.10	1	SHCS M4 x 10 - 12.9 TO ISO 4762
28041	1	HANDLE LOCKING SPRING
13238.BLK9005	1	ULTRASONIC PLUG BLK RAL9005
11609	1	SHAPED WASHER 2mm THICK PROF. TYPE WRENCH
Part No	Qty	Description