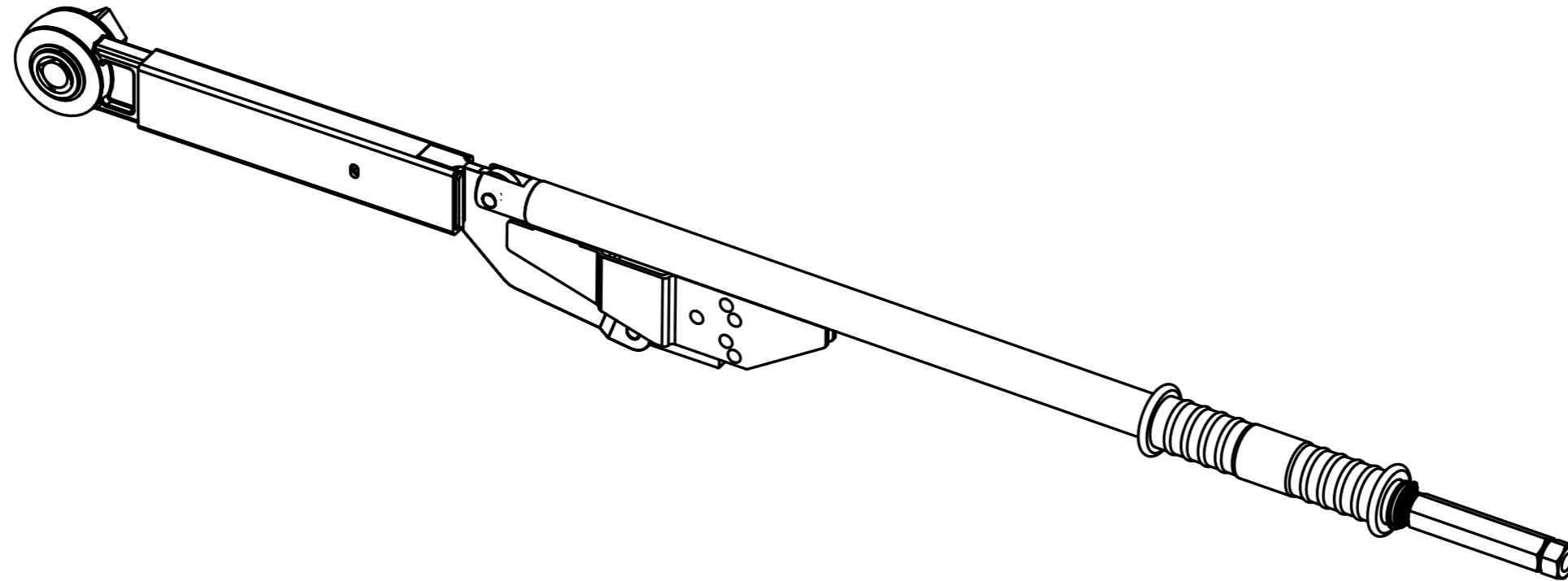


THRUST WASHER SPARES KIT 12355

12102.01 - TW 4R ADJ 1" SQUARE DRIVE SPLIT



12299	1	SQ DRIVE ASSY 1 GEDORE
26452	1	30MM EXT CIRCLIP TO DIN 471
12350	1	3AR 4R 4AR 5R PLUNGER & ROD WELDED ASSY
12379	1	LEVER ARM ASSY FOR 4R SPLIT INDUSTRIAL
26203	1	KNURLED PIN FOR IND. PLUNGER TO FORK END
12380	1	INDUSTRIAL ADJUSTING NUT
27201	1	BRG THRUST NEEDLE ROLLER TORRINGTON NO NTA613
12369	1	RECT SPIGOT FORK END ASSY
12216.01	2	HARDENED THRUST WASHER
28099	2	BREAK BACK COMPRESSION SPRING
12216.02	6	WASHER 3/8 WHIT BR STEEL
12176	1	BLACK PLASTIC HANDLE FOR INDUSTRIAL TORQUE WRENCH
26038	1	RIVET OV.HD.3/16 SHK.x5/8
12189	1	BODY ASSY STANDARD IND
27474	1	BRG BUSH 3/8x1/2x10.3mm LONG
Part No	Qty	Description