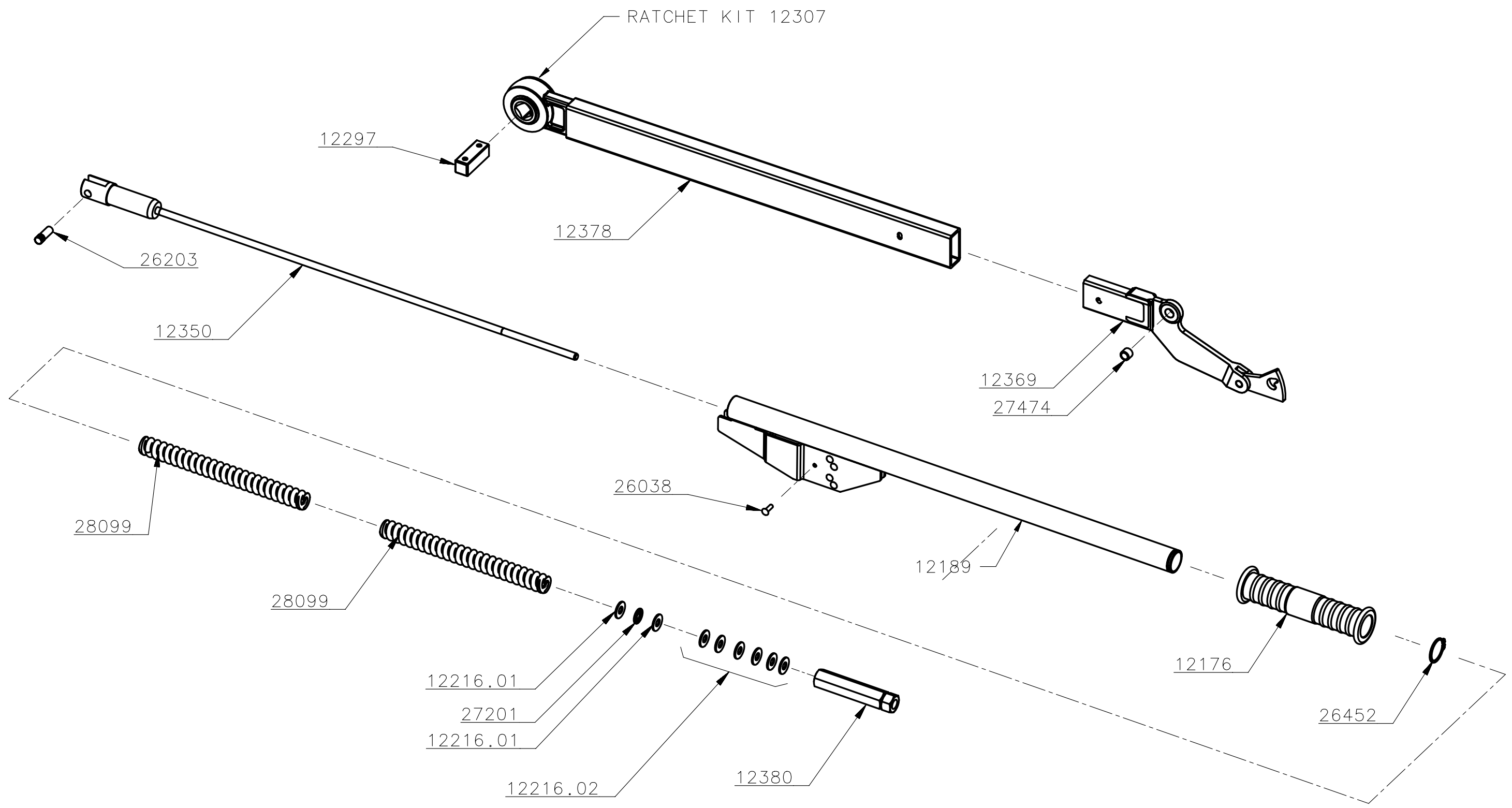
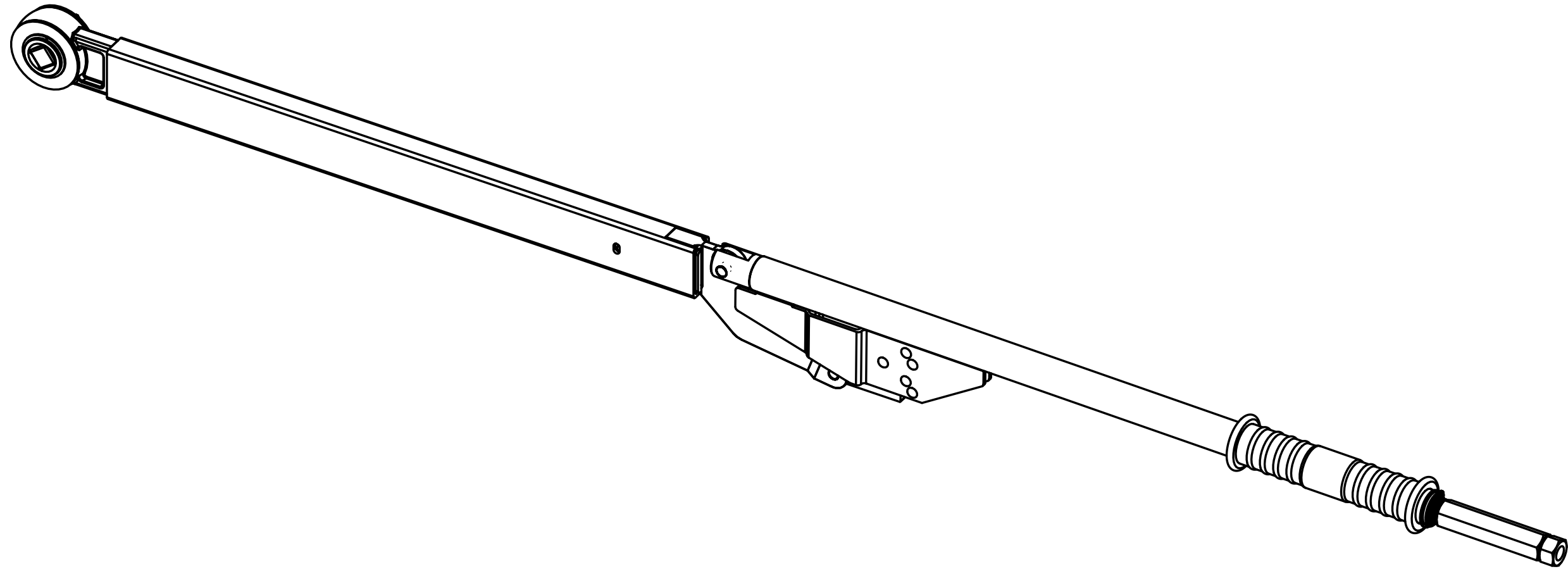


12101 - TW 5R ADJ 3/4" SQUARE DRIVE SPLIT



THRUST WASHER SPARES KIT 12355

12101 - TW 5R ADJ 3/4" SQUARE DRIVE SPLIT



12380	1	INDUSTRIAL ADJUSTING NUT
26452	1	30MM EXT CIRCLIP TO DIN 471
26203	1	KNURLED PIN FOR IND. PLUNGER TO FORK END
12378	1	LEVER ARM ASSY FOR 5R SPLIT INDUSTRIAL
12297	1	SQ DR ASSY 3/4 IRH 4507 50-140
12350	1	3AR 4R 4AR 5R PLUNGER & ROD WELDED ASSY
27201	1	BRG THRUST NEEDLE ROLLER TORRINGTON NO NTA613
12369	1	RECT SPIGOT FORK END ASSY
12216.01	2	HARDENED THRUST WASHER
28099	2	BREAK BACK COMPRESSION SPRING
12216.02	6	WASHER 3/8 WHIT BR STEEL
12176	1	BLACK PLASTIC HANDLE FOR INDUSTRIAL TORQUE WRENCH
26038	1	RIVET OV.HD.3/16 SHK.x5/8
12189	1	BODY ASSY STANDARD IND
27474	1	BRG BUSH 3/8x1/2x10.3mm LONG
Part No	Qty	Description