

RATCHET KIT: 12307

12299

26203

12273

27474

12350

26038

12189

28099

28099

12216.01

27201

12216.01

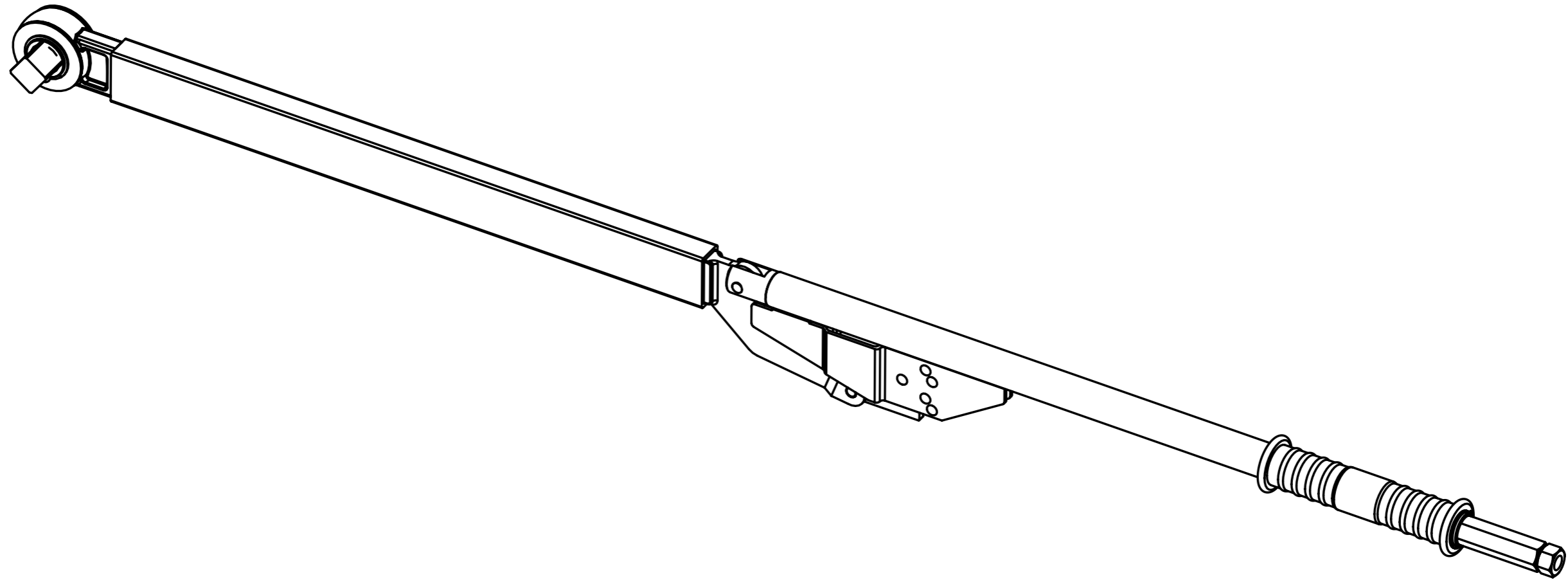
12216.02

12380

12176

26452

THRUST WASHER SPARES KIT: 12355



28099	2	BREAK BACK COMPRESSION SPRING
12299	1	SQ DRIVE ASSY 1 GEDORE
26452	1	30MM EXT CIRCLIP TO DIN 471
12350	1	3AR 4R 4AR 5R PLUNGER & ROD WELDED ASSY
12176	1	BLACK PLASTIC HANDLE FOR INDUSTRIAL TORQUE WRENCH
12216.01	2	HARDENED THRUST WASHER
12216.02	5	WASHER 3/8 WHIT BR STEEL
12273	1	LVR ARM ASSY 5R & 5AR
26203	1	KNURLED PIN FOR IND. PLUNGER TO FORK END
27201	1	BRG THRUST NEEDLE ROLLER TORRINGTON NO NTA613
27474	1	BRG BUSH 3/8x1/2x10.3mm LONG
12189	1	BODY ASSY STANDARD IND
12380	1	INDUSTRIAL ADJUSTING NUT
26038	1	RIVET OV.HD.3/16 SHK.x5/8
Part No	Qty	Description