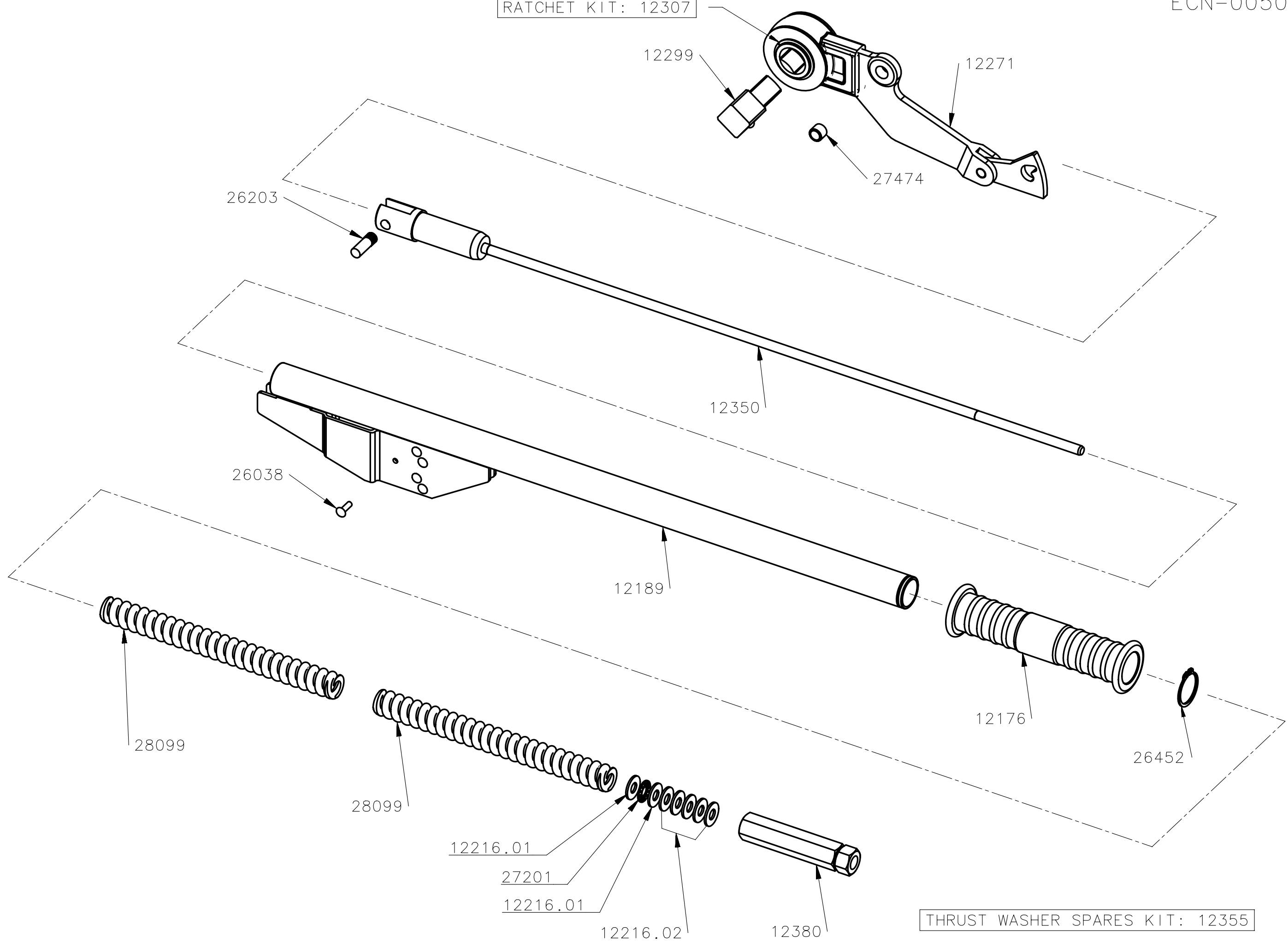
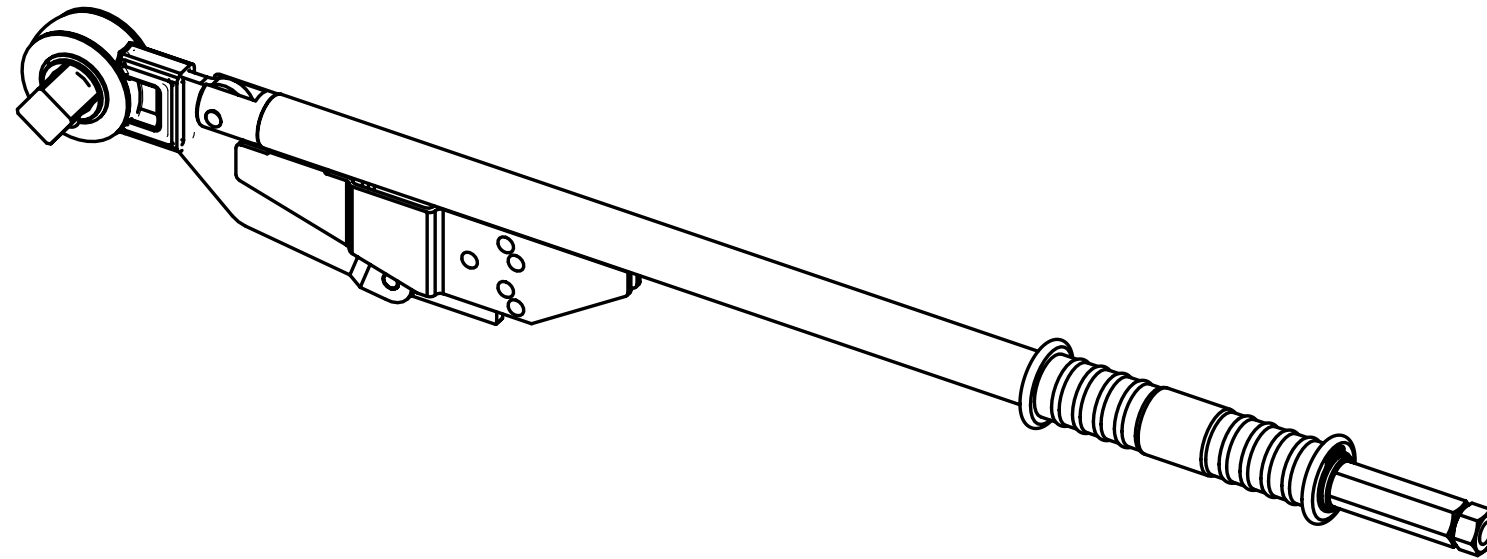


# 12001.01 - 3AR 1" SQ. DR. 100-500 N.m

RATCHET KIT: 12307



THRUST WASHER SPARES KIT: 12355



|          |     |   |
|----------|-----|---|
| 28099    | 2   | BREAK BACK COMPRESSION SPRING                     |
| 12299    | 1   | SQ DRIVE ASSY 1 GEDORE                            |
| 26038    | 1   | RIVET OV.HD.3/16 SHK.x5/8                         |
| 12350    | 1   | 3AR 4R 4AR 5R PLUNGER & ROD WELDED ASSY           |
| 12176    | 1   | BLACK PLASTIC HANDLE FOR INDUSTRIAL TORQUE WRENCH |
| 12216.01 | 2   | HARDENED THRUST WASHER                            |
| 12216.02 | 5   | WASHER 3/8 WHIT BR STEEL                          |
| 12271    | 1   | LVR ARM ASSY 3AR                                  |
| 26203    | 1   | KNURLED PIN FOR IND. PLUNGER TO FORK END          |
| 27201    | 1   | BRG THRUST NEEDLE ROLLER TORRINGTON NO NTA613     |
| 27474    | 1   | BRG BUSH 3/8x1/2x10.3mm LONG                      |
| 12189    | 1   | BODY ASSY STANDARD IND                            |
| 12380    | 1   | INDUSTRIAL ADJUSTING NUT                          |
| 26452    | 1   | 30MM EXT CIRCLIP TO DIN 471                       |
| Part No  | Qty | Description                                       |