

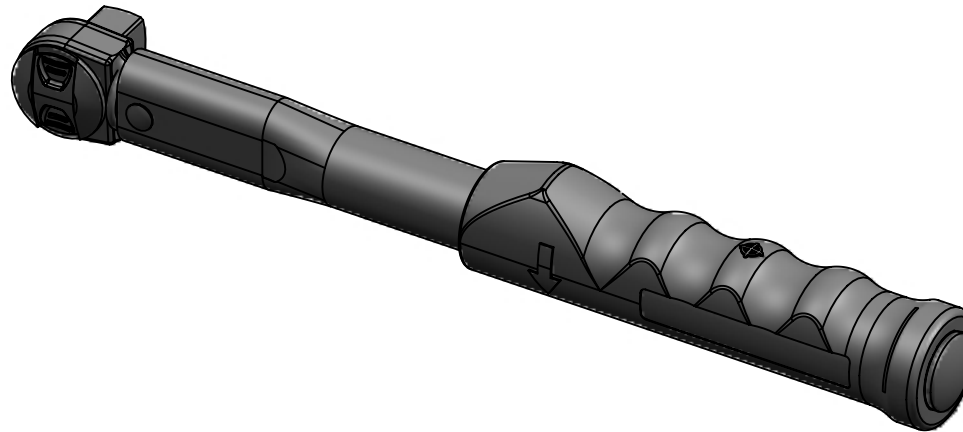
11171 - TW MDL60 P-TYPE 1/2 SQ.DR. N.m





11171 – TW MDL60 P-TYPE 1/2 SQ.DR. N.m

ISSUE 14
29NOV16
ECN-007298



11522	1	END STOP
25887	1	NUT M8 TO DIN 934 ZINC & CLEAR
11680	1	ADJUSTING NUT AND SCREW P TYPE THREADED END.
28096	1	COMP. SPRING FOR TW MECHANISM
15346	1	REVERSIBLE RATCHET MDL 50 1/2" SQ DR
11681	1	HANDLE P TYPE PRESS ON
11683.BLK	1	END CAP DOMED P TYPE PROF BLACK
11739	1	MDL60 BODY TUBE FOR PROF.
11516	1	TRANSVERSE LINK ASSY PROFESSIONAL
28543.BLK	1	O RING 15.54 ID 2.62 SECT BLACK
25947	1	WASHER .39/.395x.65 x.018 REF SR 126J
26033	1	PIVOT PIN TES 3487
11521	1	SHAPED WASHER
Part No	Qty	Description