

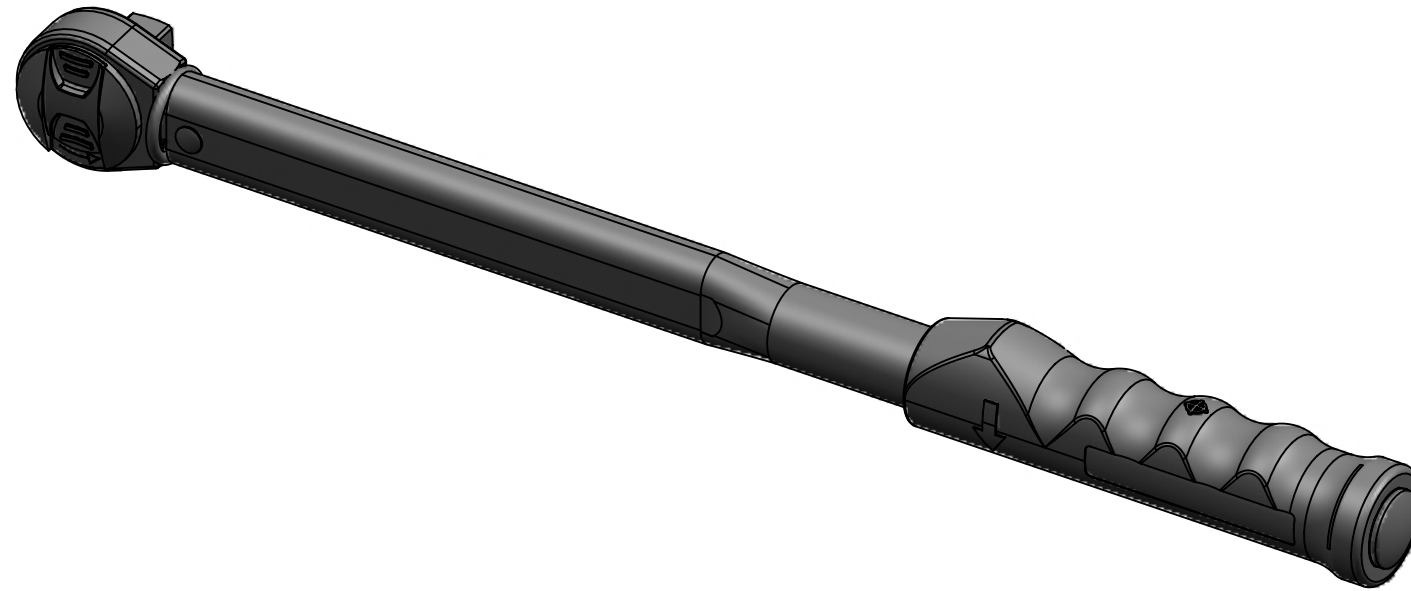
# 11140 – TW MDL200 P-TYPE 1/2 SQ.DR. N.m





# 11140 – TW MDL200 P-TYPE 1/2 SQ.DR. N.m

ISSUE 18  
06JAN17  
ECN-007364



11522	1	END STOP
25887	1	NUT M8 TO DIN 934 ZINC & CLEAR
11680	1	ADJUSTING NUT AND SCREW P TYPE THREADED END.
28096	1	COMP. SPRING FOR TW MECHANISM
11516	1	TRANSVERSE LINK ASSY PROFESSIONAL
11681	1	HANDLE P TYPE PRESS ON
28540.BLK	1	O RING 15.47 ID 3.53 SECT BLACK
11741	1	MDL200 BODY TUBE
15343	1	REVERSIBLE RATCHET MDL 200 1/2 SQ DR
11683.BLK	1	END CAP DOMED P TYPE PROF BLACK
25947	1	WASHER .39/.395x.65 x.018 REF SR 126J
26033	1	PIVOT PIN TES 3487
11521	1	SHAPED WASHER
Part No	Qty	Description