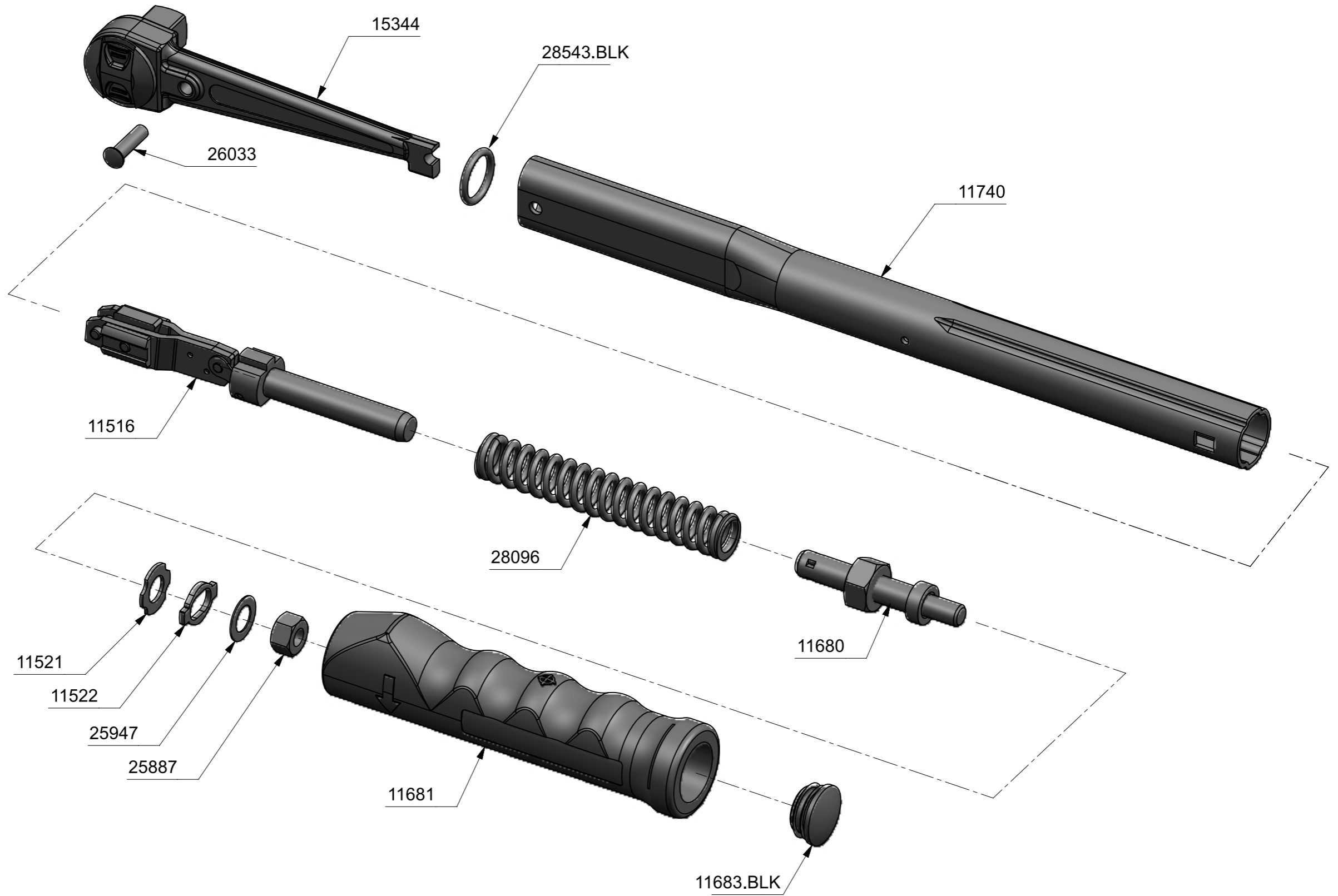


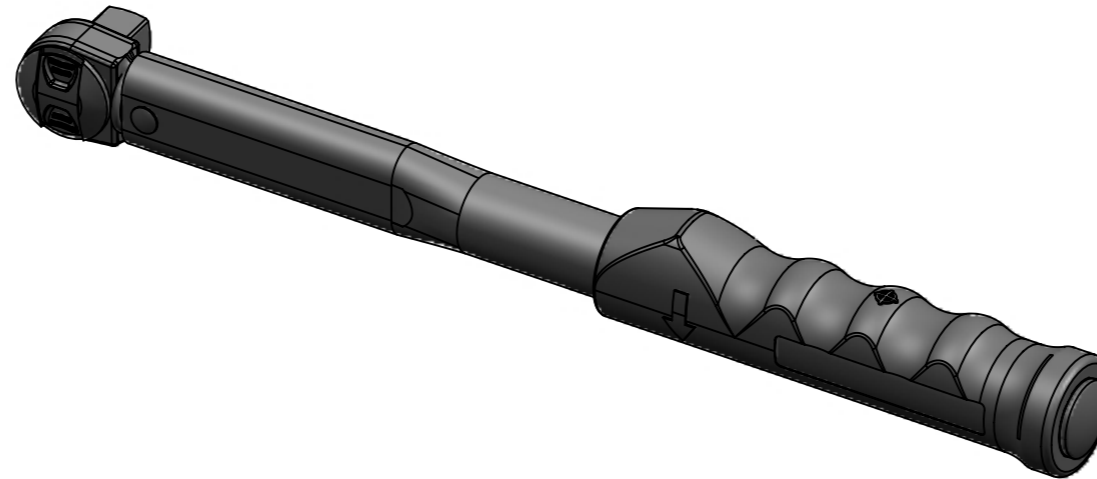
11139 - TW MDL100 P-TYPE 1/2 SQ.DR. N.m





11139 – TW MDL100 P-TYPE 1/2 SQ.DR. N.m

ISSUE 18
24MAR17
ECN-007585



15344	1	REVERSIBLE RATCHET MDL 100 1/2" SQ DR
11522	1	END STOP
25887	1	NUT M8 TO DIN 934 ZINC & CLEAR
11680	1	ADJUSTING NUT AND SCREW P TYPE THREADED END.
28096	1	COMP. SPRING FOR TW MECHANISM
11681	1	HANDLE P TYPE PRESS ON
11683.BLK	1	END CAP DOMED P TYPE PROF BLACK
28543.BLK	1	O RING 15.54 ID 2.62 SECT BLACK
11516	1	TRANSVERSE LINK ASSY PROFESSIONAL
11740	1	MDL100 BODY TUBE
25947	1	WASHER .39/.395x.65 x.018 REF SR 126J
26033	1	PIVOT PIN TES 3487
11521	1	SHAPED WASHER
Part No	Qty	Description