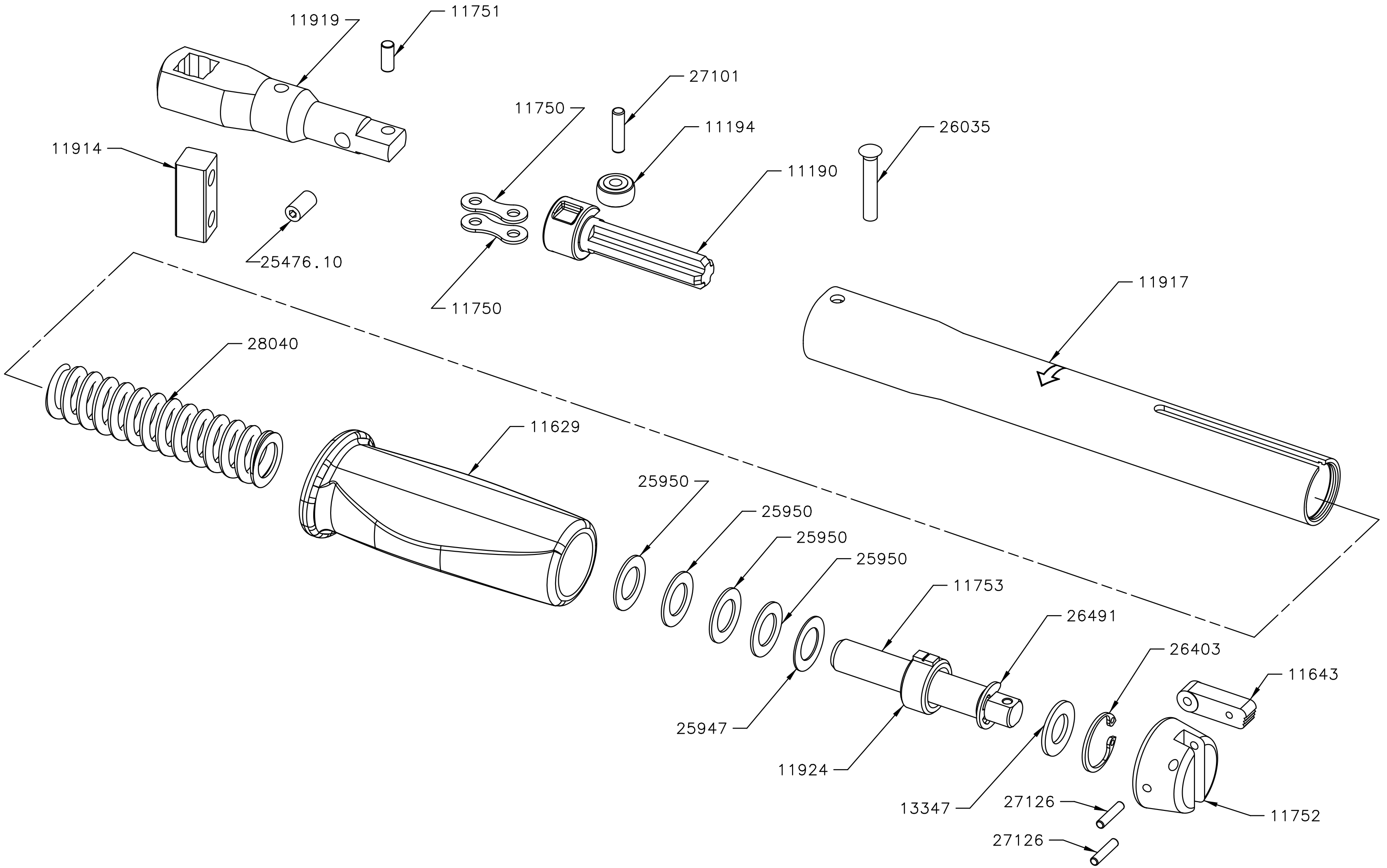
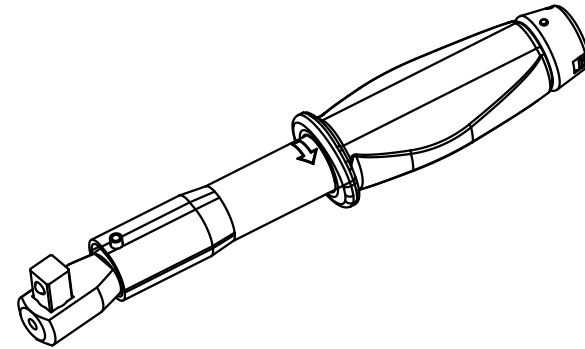


11125 - SLO 3/8" FIXED HEAD N.m./Lbf.in



11125 - SLO 3/8" FIXED HEAD N.m./Lbf.in



11190	1	TRANSVERSE LINK NYLON REF
11194	1	ROLLER SLIMLINE AND PROFESSIONAL MATL FREE ISSUE
11629	1	HANDLE PLASTIC FOR SLO ADJUSTABLE TYPE
11643	1	PLASTIC KNOB ADJ ARM SLO
11750	2	CHAIN LINK PLATE
11751	1	PIN FOR CHAIN LINK
11752	1	PLASTIC ADJ KNOB SLO MK2
11753	1	ADJUSTING SCREW SLO PLASTIC KNOB MK2
11914	1	SQ DR ASSY 3/8
11917	1	BODY TUBE SLO MK2 TOOL
11919	1	PRIM LVR SLO 3/8 SQ DR HD MKII TOOL
11924	1	ADJUSTING NUT SLO
13347	1	TRUTORQUE HARDENED WASHER
25476.10	1	M5 X 10 SSS FLAT
25947	1	WASHER .39/.395 x .65 x .018 REF SR 126J
25950	4	THRUST WASHER SLO
26035	1	SEMI TUBULAR RIVET
26403	1	CRCLP 17mm INT ROUND EYE DIN 472 STD
26491	1	SPRING CLIP 8-11 DIA EXT RSM.7
27101	1	NEEDLE ROLLER 3.5 DIA X 13.8
27126	2	NEEDLE ROLLER 2.5 DIA X 11.8
28040	1	SPRING 16.51DIAx97.53LG
Part No	Qty	Description