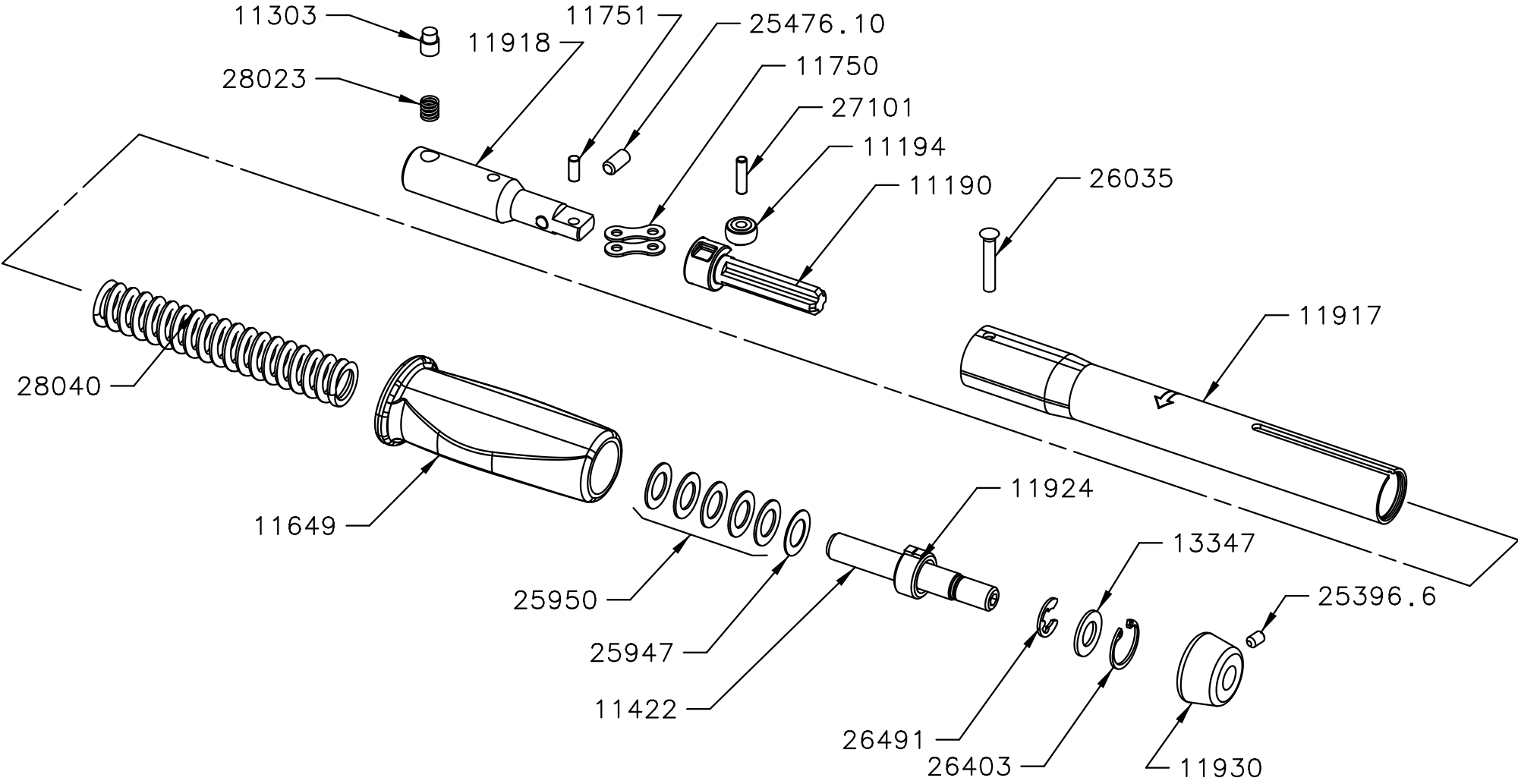
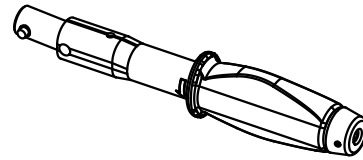


# 11090 - TW SLO P TYPE 16mm SPIGOT END 1-20Nm



# 11090 - TW SLO P TYPE 16mm SPIGOT END 1-20Nm



|          |     |  |
|----------|-----|--|
| 11190    | 1   | TRANSVERSE LINK NYLON REF                        |
| 11194    | 1   | ROLLER SLIMLINE AND PROFESSIONAL MATL FREE ISSUE |
| 11303    | 1   | PLUNGER  |
| 11422    | 1   | ADJ SCREW SLO                                    |
| 11649    | 1   | HANDLE PLASTIC FOR SLO P TYPE                    |
| 11750    | 2   | CHAIN LINK PLATE                                 |
| 11751    | 1   | PIN FOR CHAIN LINK                               |
| 11917    | 1   | BODY TUBE SLO MK2 TOOL                           |
| 11918    | 1   | PRIM LVR SLO TH 16 DIA SPIGOT                    |
| 11924    | 1   | ADJUSTING NUT SLO                                |
| 11930    | 1   | KNOB SLO P TYPE                                  |
| 13347    | 1   | TRUTORQUE HARDENED WASHER                        |
| 25396.6  | 1   | M4 X 6 SSS CUP                                   |
| 25476.10 | 1   | M5 X 10 SSS FLAT                                 |
| 25947    | 1   | WASHER .39/.395 x .65 x .018 REF SR 126J         |
| 25950    | 5   | THRUST WASHER SLO                                |
| 26035    | 1   | SEMI TUBULAR RIVET                               |
| 26403    | 1   | CRCLP 17mm INT ROUND EYE DIN 472 STD             |
| 26491    | 1   | SPRING CLIP 8-11 DIA EXT RSM.7                   |
| 27101    | 1   | NEEDLE ROLLER 3.5 DIA X 13.8                     |
| 28023    | 1   | SPRING-COMP 6.22 x 7.94 LG x 0.81WD              |
| 28040    | 1   | SPRING 16.51DIAx97.53LG                          |
| Part No  | Qty | Description                                      |