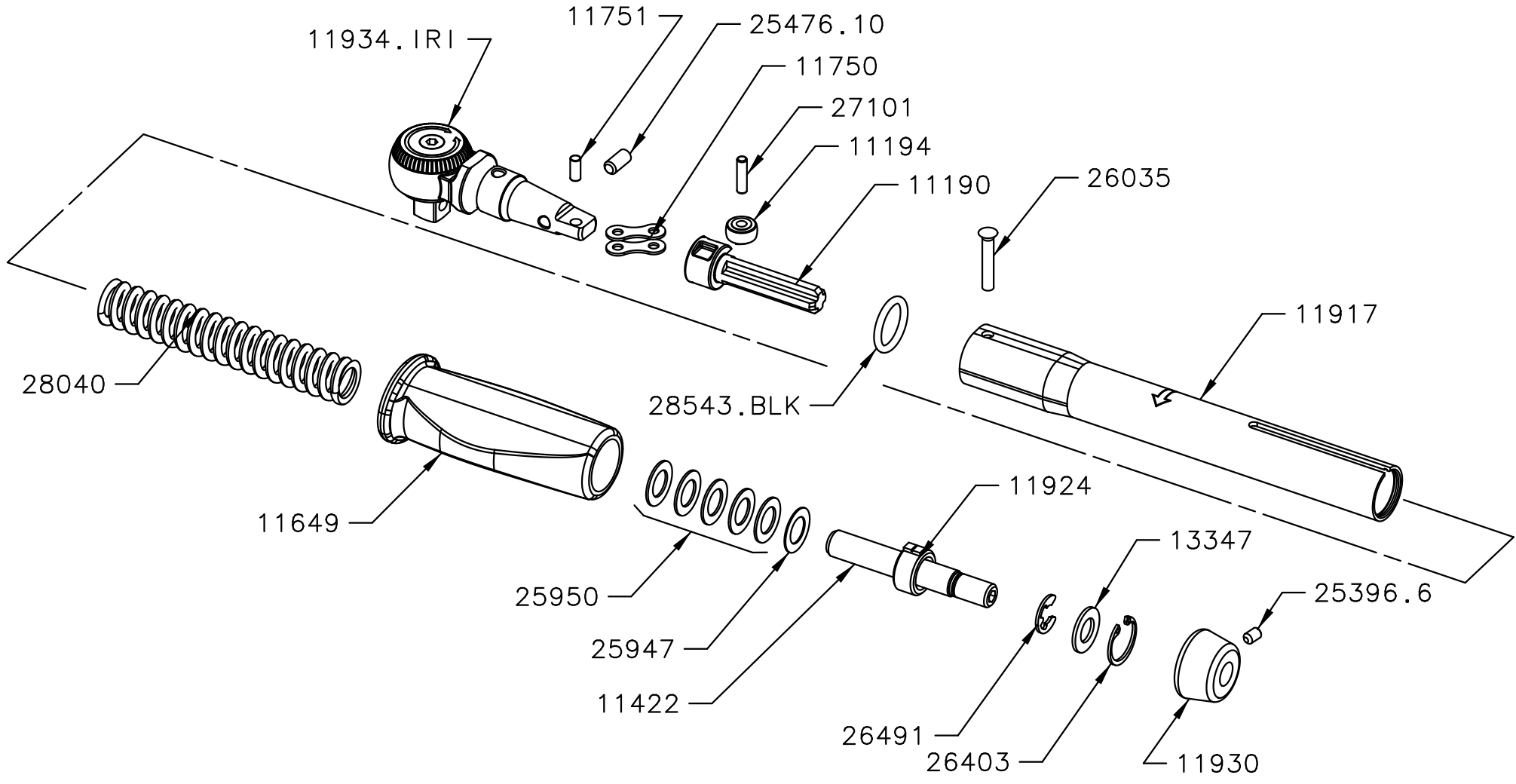
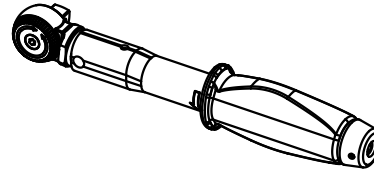


11086 - TW SLO P TYPE 3/8" RATCHET 1-20Nm



11086 - TW SLO P TYPE 3/8" RATCHET 1-20Nm



| | | |
|-----------|-----|--|
| 11190 | 1 | TRANSVERSE LINK NYLON REF |
| 11194 | 1 | ROLLER SLIMLINE AND PROFESSIONAL MATL FREE ISSUE |
| 11422 | 1 | ADJ SCREW SLO |
| 11649 | 1 | HANDLE PLASTIC FOR SLO P TYPE |
| 11750 | 2 | CHAIN LINK PLATE |
| 11751 | 1 | PIN FOR CHAIN LINK |
| 11917 | 1 | BODY TUBE SLO MK2 TOOL |
| 11924 | 1 | ADJUSTING NUT SLO |
| 11930 | 1 | KNOB SLO P TYPE |
| 11934.IRI | 1 | LVR ARM SLO 3/8 F/W RAT IRIMO |
| 13347 | 1 | TRUTORQUE HARDENED WASHER |
| 25396.6 | 1 | M4 X 6 SSS CUP |
| 25476.10 | 1 | M5 X 10 SSS FLAT |
| 25947 | 1 | WASHER .39/.395 x .65 x .018 REF SR 126J |
| 25950 | 5 | THRUST WASHER SLO |
| 26035 | 1 | SEMI TUBULAR RIVET |
| 26403 | 1 | CRCLP 17mm INT ROUND EYE DIN 472 STD |
| 26491 | 1 | SPRING CLIP 8-11 DIA EXT RSM.7 |
| 27101 | 1 | NEEDLE ROLLER 3.5 DIA X 13.8 |
| 28040 | 1 | SPRING 16.51DIAx97.53LG |
| 28543.BLK | 1 | O RING BLACK VITON 15.54 ID |
| Part No | Qty | Description |