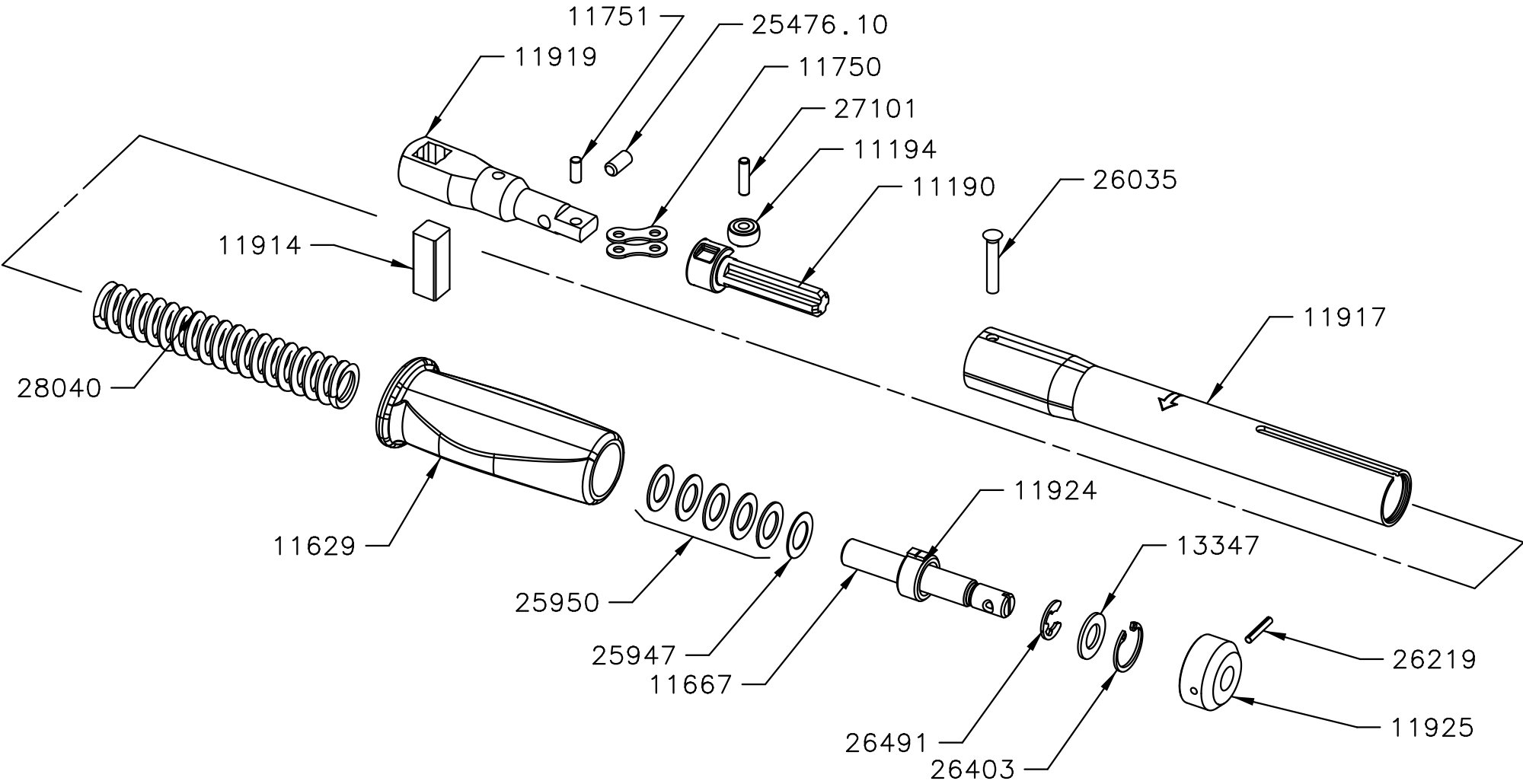
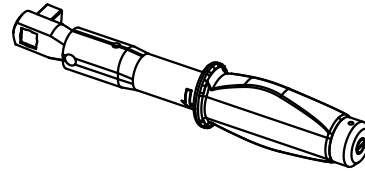


11035 - TW SLO ADJ 3/8 FIX HD 1-20Nm STEEL KNOB



11035 - TW SLO ADJ 3/8 FIX HD 1-20Nm STEEL KNOB



11190	1	TRANSVERSE LINK NYLON REF
11194	1	ROLLER SLIMLINE AND PROFESSIONAL MATL FREE ISSUE
11629	1	HANDLE PLASTIC FOR SLO ADJUSTABLE TYPE
11667	1	SLO ADJUSTING SCREW FOR METAL KNOB PART NO 11925
11750	2	CHAIN LINK PLATE
11751	1	PIN FOR CHAIN LINK
11914	1	SQ DR ASSY 3/8
11917	1	BODY TUBE SLO MK2 TOOL
11919	1	PRIM LVR SLO 3/8 SQ DR HD MKII TOOL
11924	1	ADJUSTING NUT SLO
11925	1	ADJUSTING KNOB FOR SLO
13347	1	TRUTORQUE HARDENED WASHER
25476.10	1	M5 X 10 SSS FLAT
25947	1	WASHER .39/.395 x .65 x .018 REF SR 126J
25950	5	THRUST WASHER SLO
26035	1	SEMI TUBULAR RIVET
26219	1	TENSION PIN 3/32IN DIA X 9/16IN
26403	1	CRCLP 17mm INT ROUND EYE DIN 472 STD
26491	1	SPRING CLIP 8-11 DIA EXT RSM.7
27101	1	NEEDLE ROLLER 3.5 DIA X 13.8
28040	1	SPRING 16.51DIAx97.53LG
Part No	Qty	Description