

NORBAR TORQUE TOOLS HANDTORQUE™ MULTIPLIER COMPACT SERIES



- Compact size allows easy access to applications
- Lightweight for torque capacity
- Supplied as standard with an aluminium reaction arm. Other options are available on request, including customised reactions
- Robust, 48 tooth Anti Windup Ratchet (AWUR) contains the forces generated during tightening for safe and easy operation
- Improvements to the HT-72 gearbox have increased the efficiency, enabling a higher nominal multiplication ratio of 27:1
- Guaranteed multiplication accuracy of $\pm 4\%$
- Each multiplier is supplied with its own unique calibration certificate allowing the accurate calculation of input torque for critical applications
- Supplied in a carry case

HT-52

Model	Ratio	Input Square	Output Square	Maximum Torque Output	Dimensions				Tool Weight	Reaction Weight
					A	B	C	D		
HT-52/4.5 (180200)	4:5:1	1/2"	3/4"	1000 N·m	52 mm	115 mm	131 mm	150 mm	1 kg	0.85 kg
HT-52/22 (180201)	22:1	3/8"	3/4"	1000 N·m	52 mm	139 mm	131 mm	175 mm	1.3 kg	0.85 kg
HT-52/22 (180202)	22:1	1/2"	3/4"	1000 N·m	52 mm	139 mm	131 mm	175 mm	1.4 kg	0.85 kg
HT-52/22 AWUR (180203)	22:1	3/8"	3/4"	1000 N·m	52 mm	153 mm	131 mm	189 mm	1.4 kg	0.85 kg
HT-52/22 AWUR (180204)	22:1	1/2"	3/4"	1000 N·m	52 mm	153 mm	131 mm	189 mm	1.4 kg	0.85 kg
HT-52/22 AWUR (180205)	22:1	3/8"	1"	1000 N·m	52 mm	158 mm	131 mm	190 mm	1.4 kg	0.85 kg
HT-52/22 AWUR (180206)	22:1	1/2"	1"	1000 N·m	52 mm	157 mm	131 mm	190 mm	1.4 kg	0.85 kg



For more details on all Norbar products please contact:

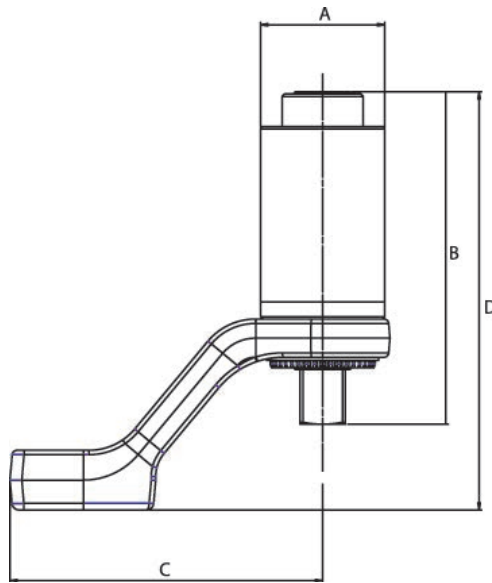
NORBAR TORQUE TOOLS LTD
 Beaumont Road, Banbury,
 Oxfordshire OX16 1XJ
 UNITED KINGDOM
 Tel + 44 (0)1295 753600

www.norbar.com

NORBAR TORQUE TOOLS

HANDTORQUE™ MULTIPLIER

COMPACT SERIES



HT-72

Model	Ratio	Input Square	Output Square	Maximum Torque Output	Dimensions				Tool Weight	Reaction Weight
					A	B	C	D		
HT-72/5 (180207)	5:1	1/2"	3/4"	1000 N-m	72 mm	144 mm	166 mm	188 mm	2.4 kg	0.66 kg
HT-72/5 (180208)	5:1	1/2"	1"	1500 N-m	72 mm	144 mm	166 mm	188 mm	2.4 kg	0.66 kg
HT-72/5 (180209)	5:1	3/4"	3/4"	1000 N-m	72 mm	163 mm	166 mm	208 mm	2.4 kg	0.66 kg
HT-72/5 (180210)	5:1	3/4"	1"	2000 N-m	72 mm	163 mm	166 mm	208 mm	2.4 kg	0.66 kg
HT-72/27 (180211)	27:1	1/2"	3/4"	1000 N-m	72 mm	165 mm	166 mm	209 mm	2.7 kg	0.66 kg
HT-72/27 (180212)	27:1	1/2"	1"	2000 N-m	72 mm	165 mm	166 mm	209 mm	2.7 kg	0.66 kg
HT-72/27 AWUR (180213)	27:1	1/2"	3/4"	1000 N-m	72 mm	182 mm	166 mm	226 mm	3 kg	0.66 kg
HT-72/27 AWUR (180214)	27:1	1/2"	1"	2000 N-m	72 mm	182 mm	166 mm	226 mm	3 kg	0.66 kg

HT-92

Model	Ratio	Input Square	Output Square	Maximum Torque Output	Dimensions				Tool Weight	Reaction Weight
					A	B	C	D		
HT-92/25 (18092)	25:1	1/2"	1"	4000 N-m	92 mm	220 mm	205 mm	277 mm	5.4 kg	1.35 kg
HT-119/25 (18091)	25:1	1/2"	1 1/2"	7000 N-m	119 mm	252 mm	199 mm	330 mm	9.3 kg	2.10 kg

For more details on all Norbar products please contact:

NORBAR TORQUE TOOLS LTD
 Beaumont Road, Banbury,
 Oxfordshire OX16 1XJ
 UNITED KINGDOM
 Tel + 44 (0)1295 753600

www.norbar.com