

ENGINEER TO ORDER

SPECIAL PROJECT INFORMATION SHEET



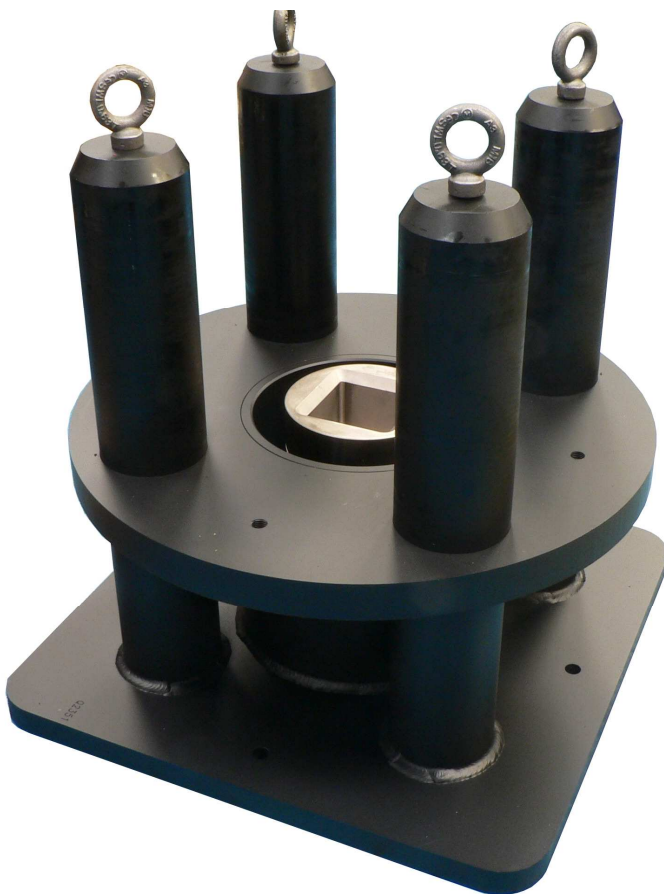
Project Description	100,000 N.m Pneutorque Verification Fixture		
Date created	11 July 2012	Project Number	Q2351

INTRODUCTION & APPLICATION

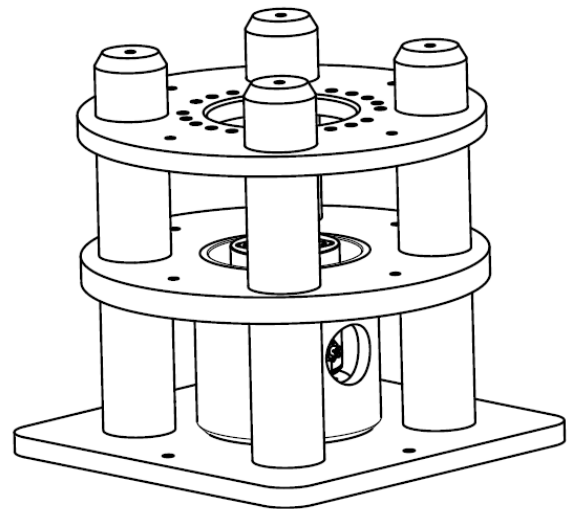
Verification fixture required for Pneutorque tools PT 5500, PT 7, PT 9, PT 11, PT 12, PT 13 & PT 14.

SOLUTION

Verification fixture and set of tool adaptor plates for use with a TTT or T-Box instrument & transducer lead.



Fixture without Pneutorque adaptor plate



Fixture with a Pneutorque adaptor plate

TECHNICAL SPECIFICATION / DATA HIGHLIGHTS

The tool under test is fitted to an adaptor plate, operated, and the instrument displays applied torque. Includes 3.5" male to female static transducer calibrated CW & CCW over 5,000 – 100,000 N.m range and sleeve adaptors for 2.5" (to 50,000 N.m) & 1.5" (to 15,000 N.m). Safety guarding will be provided by end user.