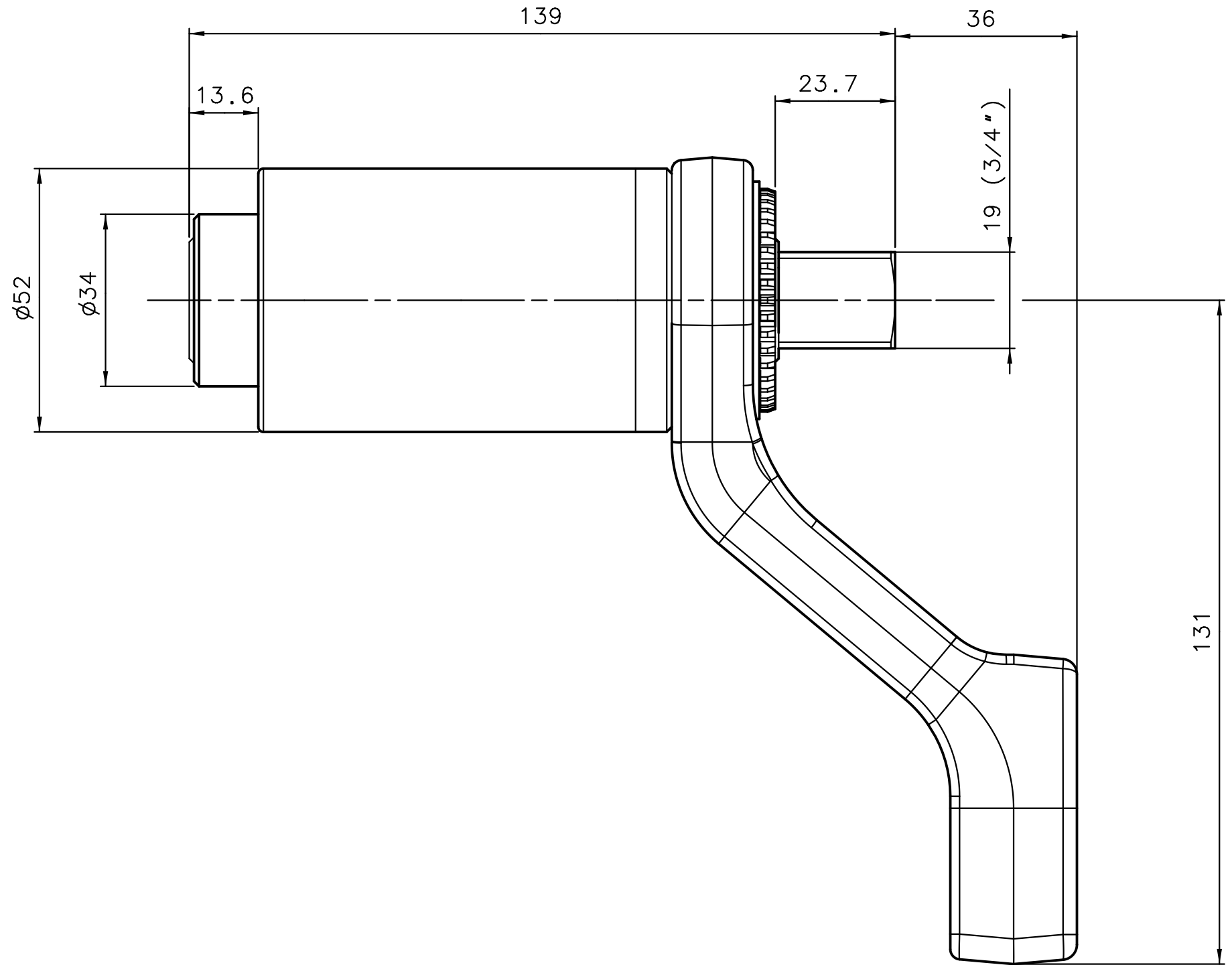
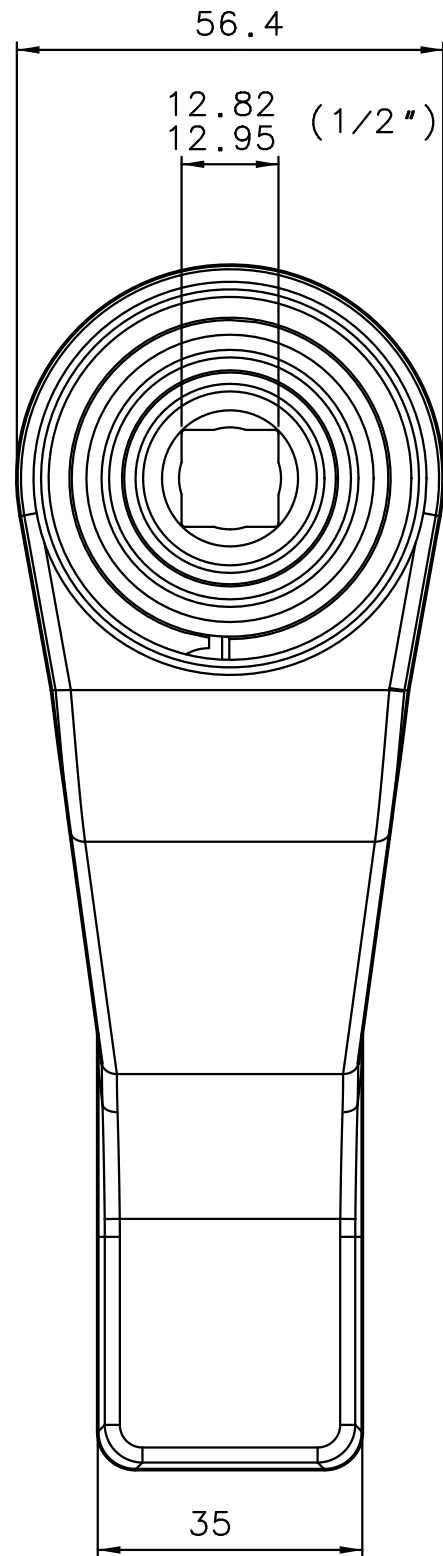
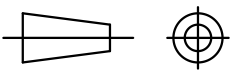


PROJECTION



MOD No.: ECR0595	DATE: 22MAR06	SIG.: RDW	MATERIAL	SCALE 1:1	IF IN DOUBT ASK	DO NOT SCALE DIMENSIONS IN MILLIMETRES (MM)	DRAWN BY RDW	TITLE HT52-22 1000 N.m 0.5in IP 0.75in OP OUTLINE DRAWING	
MODIFICATION DETAIL 13.6 WAS 14.5			FORM	A3	REMOVE ALL SHARP EDGES UNLESS STATED OTHERWISE (0.5 MAX CHMF)	TOLERANCES UNLESS STATED OTHERWISE DIMENSIONAL ± 0.3 ANGULAR ± 1/2° HOLES H11	DATE DRAWN 25JAN05		
			HEAT TREATMENT			SURFACE TEXTURE NOT TO EXCEED N8 UNLESS STATED		DRAWING NUMBER 18052.0L	ISSUE 2
			FINISH						