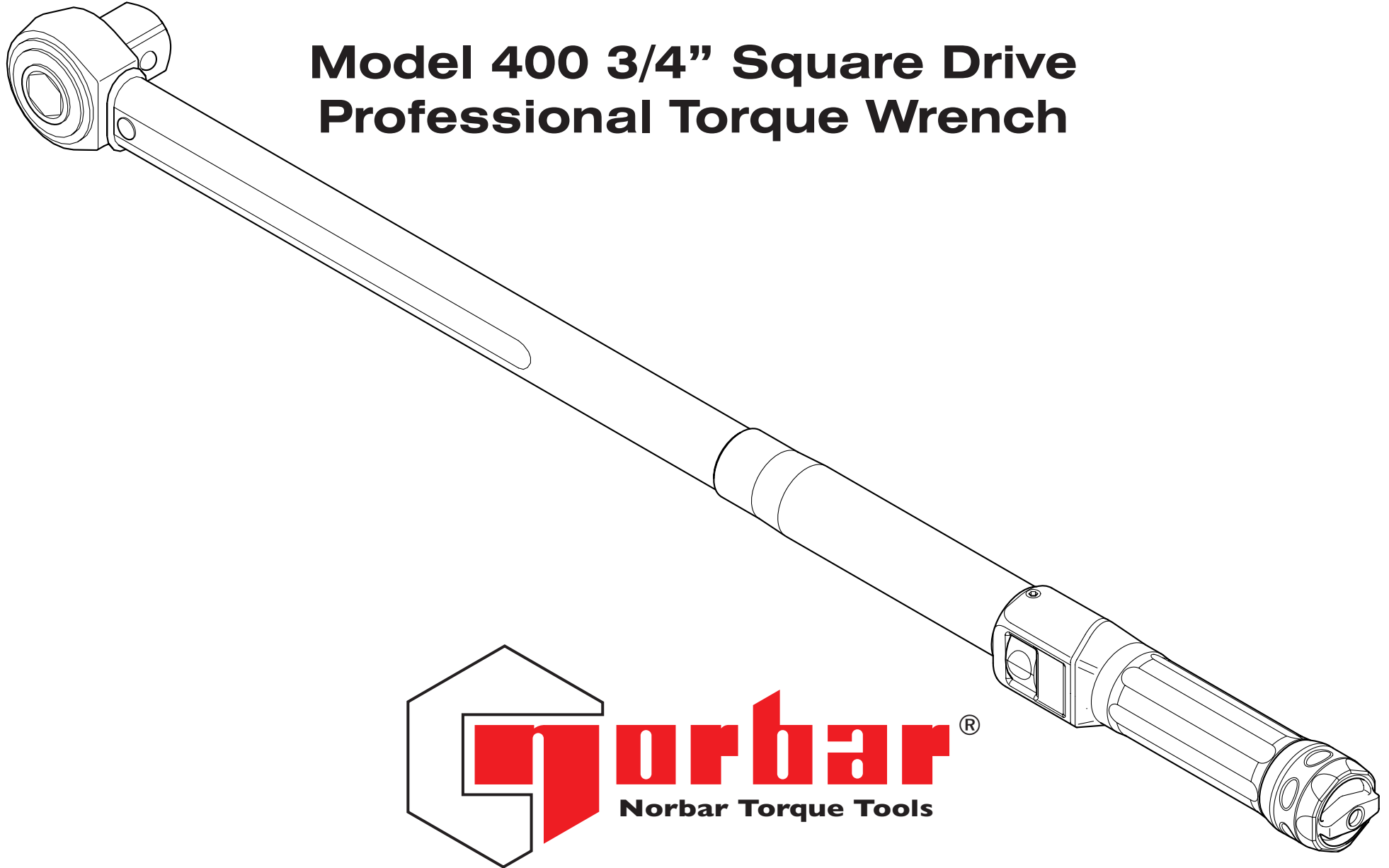
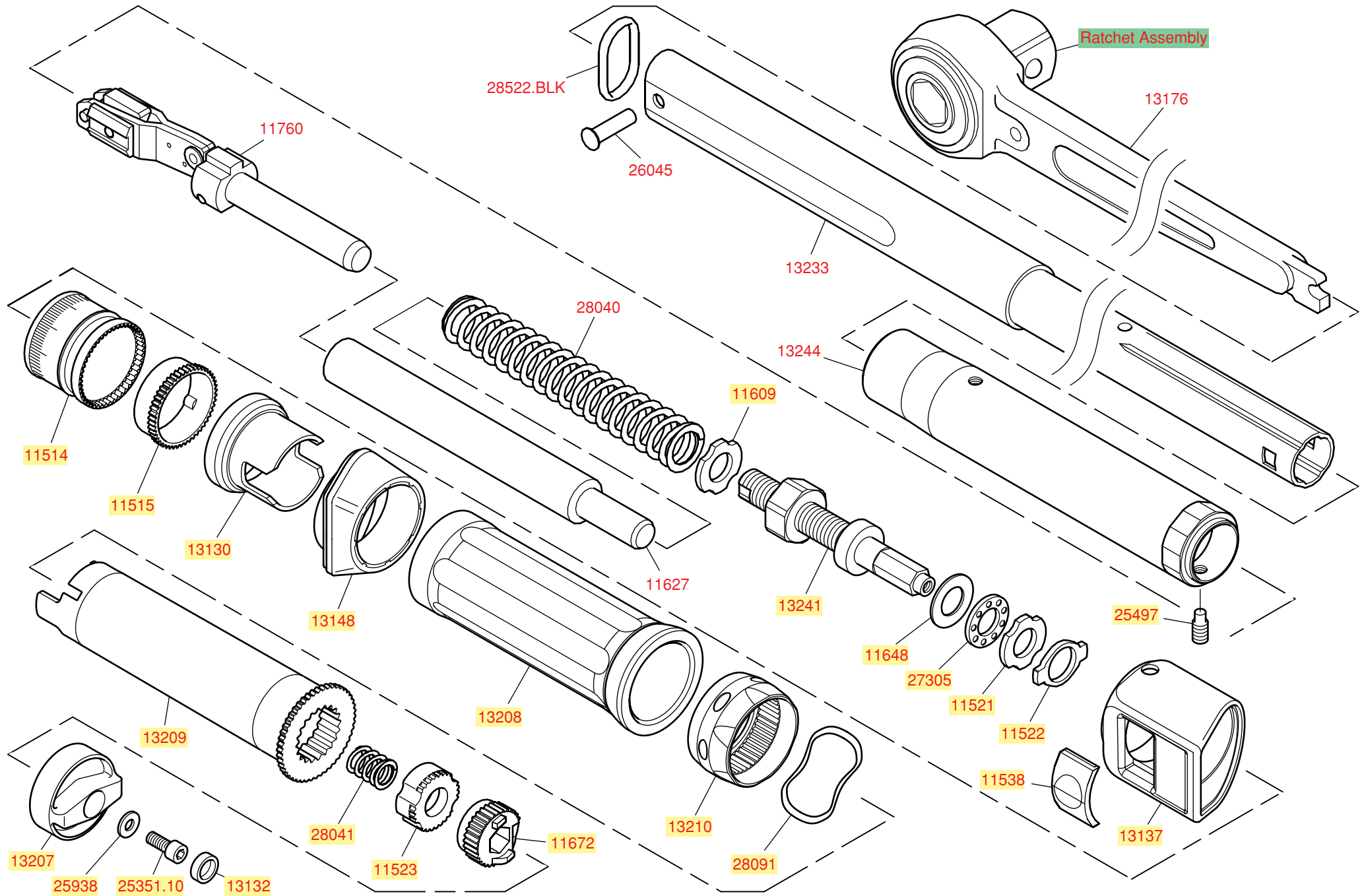


Model 400 3/4" Square Drive Professional Torque Wrench



MODEL 400 3/4" Sq. Dr. N.m/Lbf.ft



MODEL 400 3/4" Sq. Dr. N.m/Lbf.ft

PART No	QUANTITY	DESCRIPTION
11514	1	SCALE ROTATING GEAR
11515	1	STATIONARY GEAR
11521	1	SHAPED WASHER
11522	1	END STOP
11523	1	LOCKING COLLAR GEAR 30 TEETH
11538	1	CLEAR LENS
11609	1	SHAPED WASHER
11627	1	SPACER
11648	1	THRUST WASHER
11672	1	DRIVE SLEEVE GEAR 30 TEETH
11760	1	TRANSVERSE LINK ASSEMBLY FOR MODEL 400
13130	1	SCALE ROTATING CAM
13132	1	END BUNG - PLASTIC
13137	1	SCALE MECHANISM COVER
13148	1	STATIONARY HANDLE ASSEMBLY
13176	1	RATCHET LEVER ASSEMBLY MODEL 400
13207	1	LOCKING KNOB
13208	1	ROTATING HANDLE ASSEMBLY
13209	1	SCALE ADJUSTING SHAFT
13210	1	HANDLE END PIECE
13233	1	MODEL 400 BODY TUBE ASSEMBLY
13241	1	ADJUSTING SCREW MK2
13244	1	MK2 ADJUSTING SCREW HOUSING
25351.10	1	SCREW M4 x 10mm G12.9
25497	1	GRUB SCREW SOCKET M5 x 6LG DOG POINT
25938	1	WASHER M4 STANDARD FLAT
26045	1	PIN PIVOT
27305	1	THRUST RACE
28040	1	SPRING 16.51mm DIA x 97.53mm LONG
28041	1	HANDLE LOCKING SPRING
28091	1	WAVE SPRING
28522.BLK	1	BLACK VITON 'O' RING BS 114