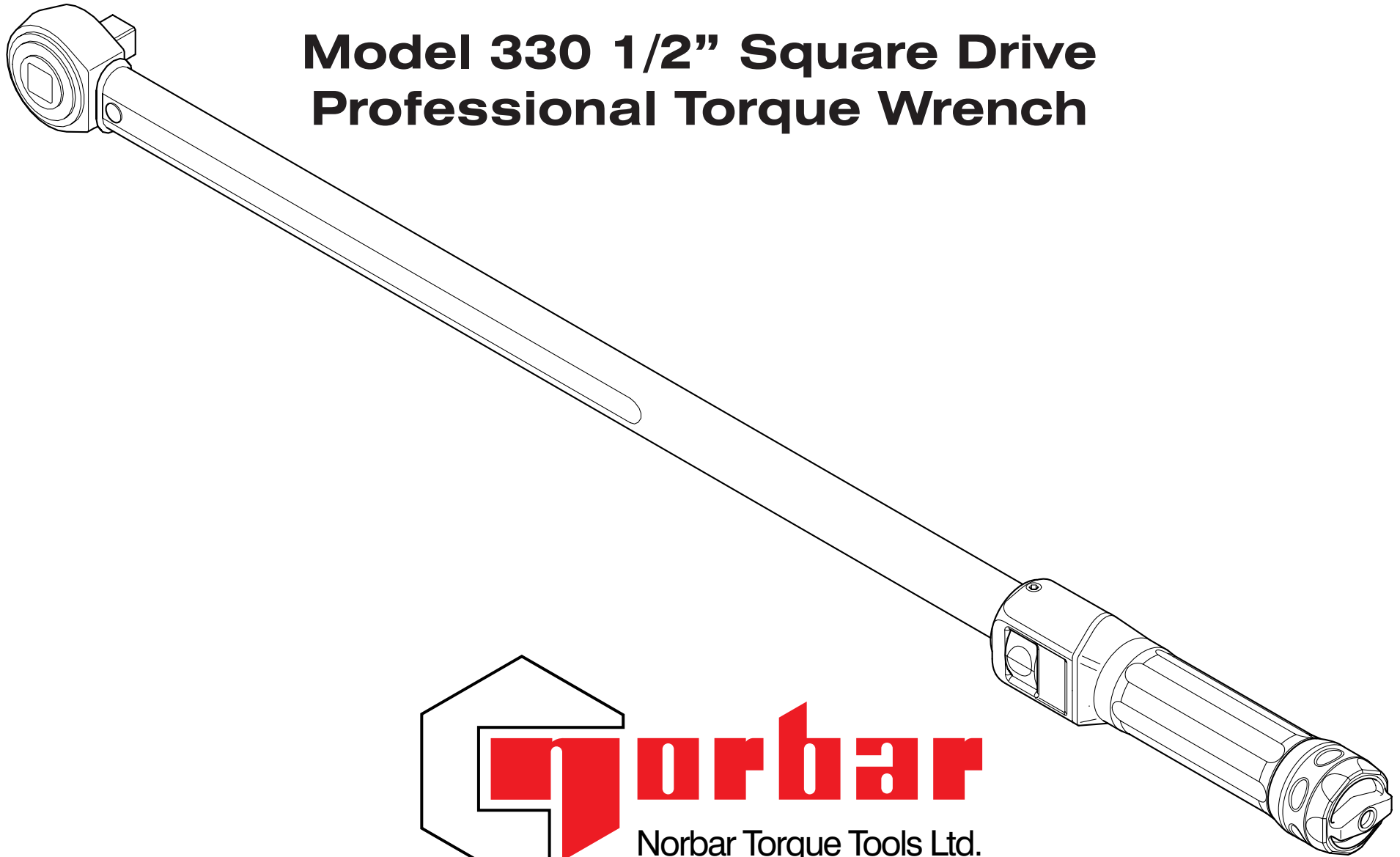
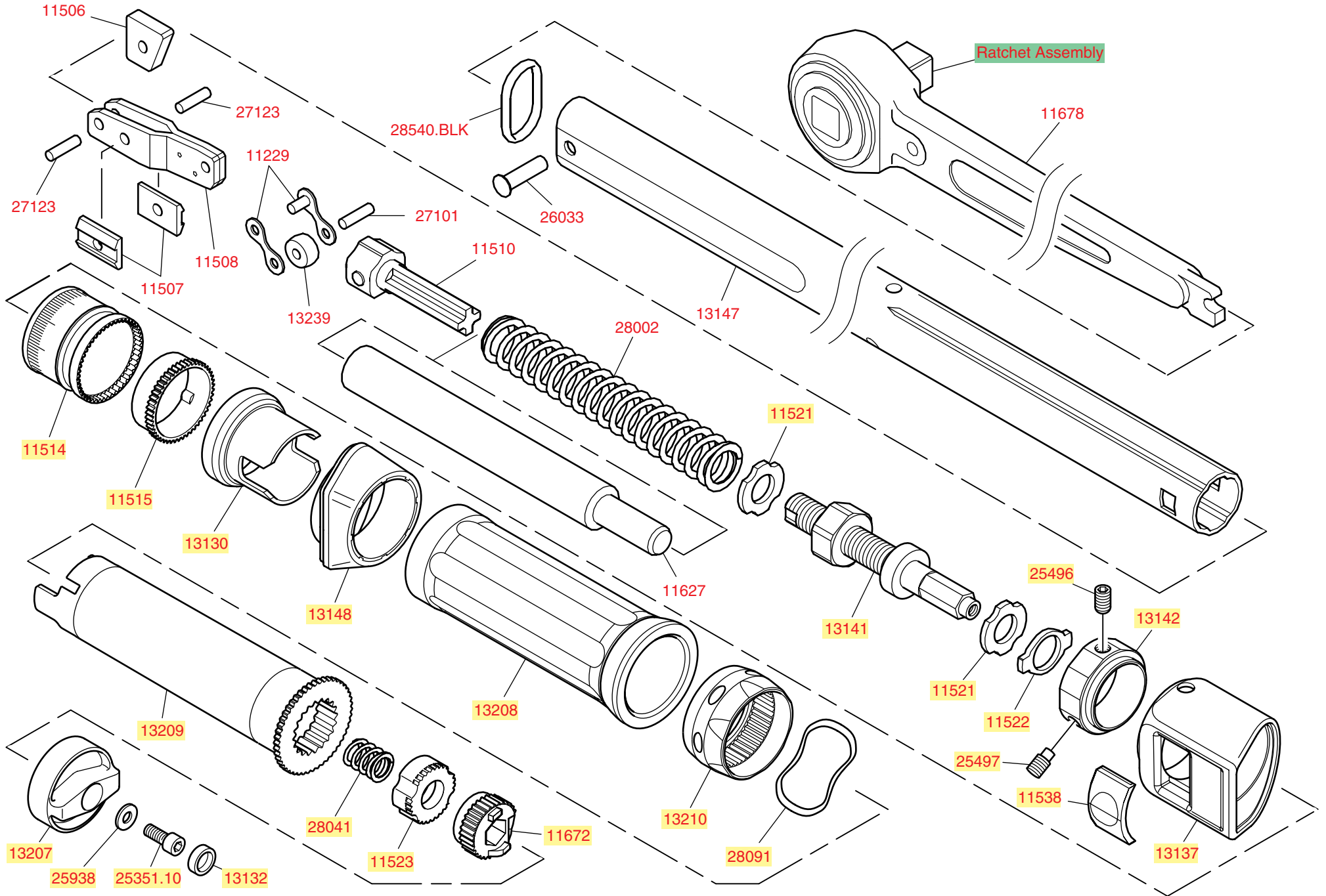


# Model 330 1/2" Square Drive Professional Torque Wrench



NORBAR TORQUE TOOLS LTD Beaumont Road, Banbury, Oxon. OX16 1XJ UNITED KINGDOM  
Tel: +44 (0) 1295 270333 Fax: +44 (0) 1295 753643 <http://www.norbar.com>

# MODEL 330 1/2" Sq. Dr. N.m/Lbf.ft



## MODEL 330 1/2" Sq. Dr. N.m/Lbf.ft

PART No	QUANTITY	DESCRIPTION
13239	1	ROLLER
11229	1	CHAIN LINK WITH PINS + LINK
11506	1	PIVOT BLOCK
11507	2	FRICTION PAD
11508	1	SECONDARY LEVER ASSEMBLED
11510	1	TRANSVERSE LINK
11514	1	SCALE ROTATING GEAR
11515	1	STATIONARY GEAR
11521	2	SHAPED WASHER
11522	1	END STOP
11523	1	LOCKING COLLAR GEAR 30 TEETH
11538	1	CLEAR LENS
11627	1	SPACER
11672	1	DRIVE SLEEVE GEAR 30 TEETH
11678	1	RATCHET LEVER ASSEMBLY MODEL 330 LARGE HEAD
13130	1	SCALE ROTATING CAM
13132	1	END BUNG - PLASTIC
13137	1	SCALE MECHANISM COVER
13141	1	ADJUSTING SCREW
13142	1	THRUST WASHER
13147	1	BODY TUBE MODEL 330/400 - 2 SHOT HANDLE
13148	1	STATIONARY HANDLE ASSEMBLY
13207	1	LOCKING KNOB
13208	1	ROTATING HANDLE ASSEMBLY
13209	1	SCALE ADJUSTING SHAFT
13210	1	HANDLE END PIECE
25351.10	1	SCREW M4 x 10mm G12.9
25496	1	GRUB SCREW SOCKET M5 x 8LG OVAL
25497	1	GRUB SCREW SOCKET M5 x 6LG DOG POINT
25938	1	WASHER M4 STANDARD FLAT
26033	1	PIN PIVOT

Cont'd.....

