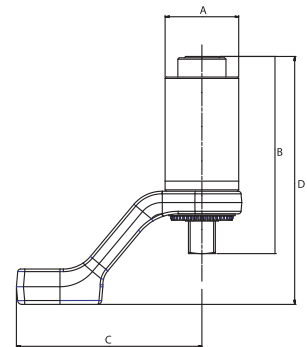




Handtorque™ Compact Series HT-52 & HT-72

- Compact size allows easy access to applications.
- Light weight for torque capacity.
- Supplied as standard with an aluminium reaction arm. Other options are available on request, including customised reactions.
- Robust, 48 tooth Anti Wind-Up Ratchet (AWUR) contains the forces generated during tightening for safe and easy operation.
- Guaranteed multiplication accuracy of $\pm 4\%$.
- Each multiplier is supplied with its own unique calibration certificate allowing the accurate calculation of input torque for critical applications
- Supplied in a carry case



HT-52 and HT-72

Model	Part No.	Range		Ratio	Input Square in	Output Square in	A mm	B mm	C mm	D mm	Tool Weight kg	Reaction Weight kg
		N.m	lbf.ft									
HT-52/4.5	180200	1000	740	4.5:1	½	¾	52	115	131	150.3	1.0	0.85
HT-52/22	180201	1000	740	22:1	¾	¾	52	139	131	175	1.3	0.85
HT-52/22	180202	1000	740	22:1	½	¾	52	139	131	175	1.4	0.85
HT-52/22 Fitted with AWUR	180203	1000	740	22:1	¾	¾	52	153	131	189	1.4	0.85
HT-52/22 Fitted with AWUR	180204	1000	740	22:1	½	¾	52	153	131	189	1.4	0.85
HT-52/22 Fitted with AWUR	180205	1000	740	22:1	¾	1	52	157.9	131	190	1.4	0.85
HT-52/22 Fitted with AWUR	180206	1000	740	22:1	½	1	52	156.6	131	190	1.4	0.85
HT-72/5	180207	1000	740	5:1	½	¾	72	144.1	165.5	188.1	2.4	0.66
HT-72/5	180208	1500	1100	5:1	½	1	72	143.6	165.5	188.1	2.4	0.66
HT-72/5	180209	1000	740	5:1	¾	¾	72	163.2	165.5	207.6	2.4	0.66
HT-72/5	180210	2000	1450	5:1	¾	1	72	163.2	165.5	207.6	2.4	0.66
HT-72/27	180211	1000	740	27:1	½	¾	72	164.8	165.5	208.7	2.7	0.66
HT-72/27	180212	2000	1450	27:1	½	1	72	164.8	165.5	208.7	2.7	0.66
HT-72/27 Fitted with AWUR	180213	1000	740	27:1	½	¾	72	182.3	165.5	226.4	3.0	0.66
HT-72/27 Fitted with AWUR	180214	2000	1450	27:1	½	1	72	182.3	165.5	226.4	3.0	0.66