

# ENGINEER TO ORDER

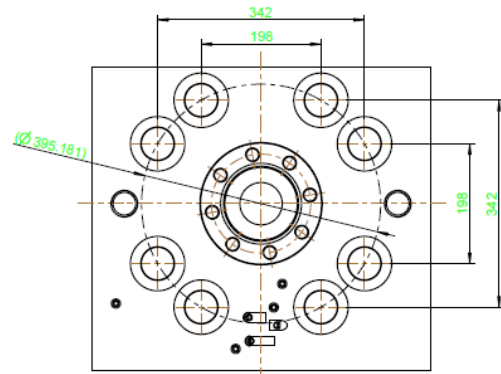
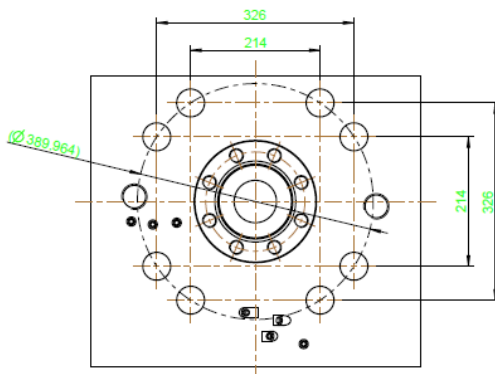
SPECIAL PROJECT INFORMATION SHEET



Project Description	Straight sliding reaction to fit PT 11		
Date created	29 September 2014	Project Number	Q2539

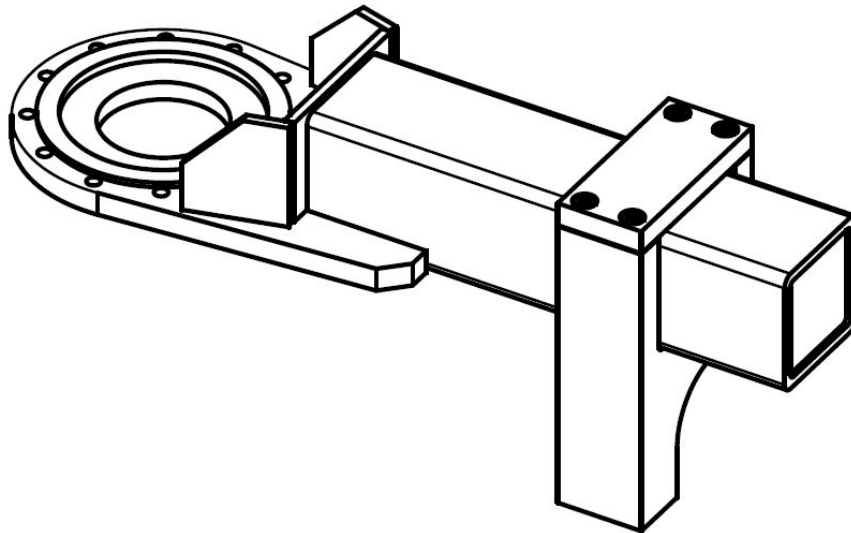
## INTRODUCTION & APPLICATION

Mining industry application for bolt torque tightening at various centres on hydraulic breakers.



## SOLUTION

Pneutorque PT11 fitted with special reaction # Q2539 having a sliding reaction foot.



## TECHNICAL SPECIFICATION / DATA HIGHLIGHTS

Reaction foot range of 250mm – 550mm from tool axis.  
Reaction foot reach of 141.5mm (from underside of box section to tip of foot).  
20,000 N.m maximum torque.