

ENGINEER TO ORDER

SPECIAL PROJECT INFORMATION SHEET



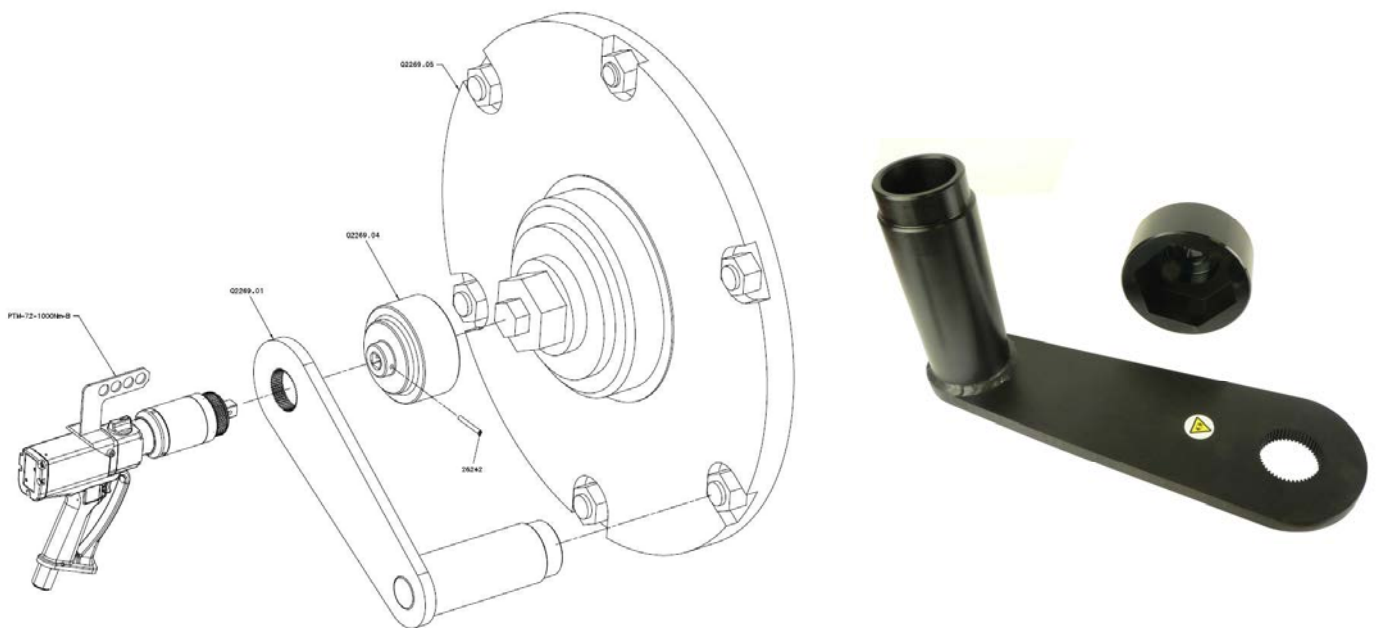
Project Description	Saw Machine Cutter Torque Tightening		
Date created	17 October 2010	Project Number	Q2269

INTRODUCTION & APPLICATION

Oil pipeline sawing machine requires frequent cutter changes.
The cutter retaining 105mm A/F nut requires torque tightening to 550 N.m.

SOLUTION

Pneutorque PTM-72-1000-B with special 105mm A/F hexagon output drive and torque reaction that locates adjacent flange M36 nuts.



TECHNICAL SPECIFICATION/DATA HIGHLIGHTS

Torque reaction can be taken from any of the flange nuts via the reaction tube bore.