

ENGINEER TO ORDER

SPECIAL PROJECT INFORMATION SHEET



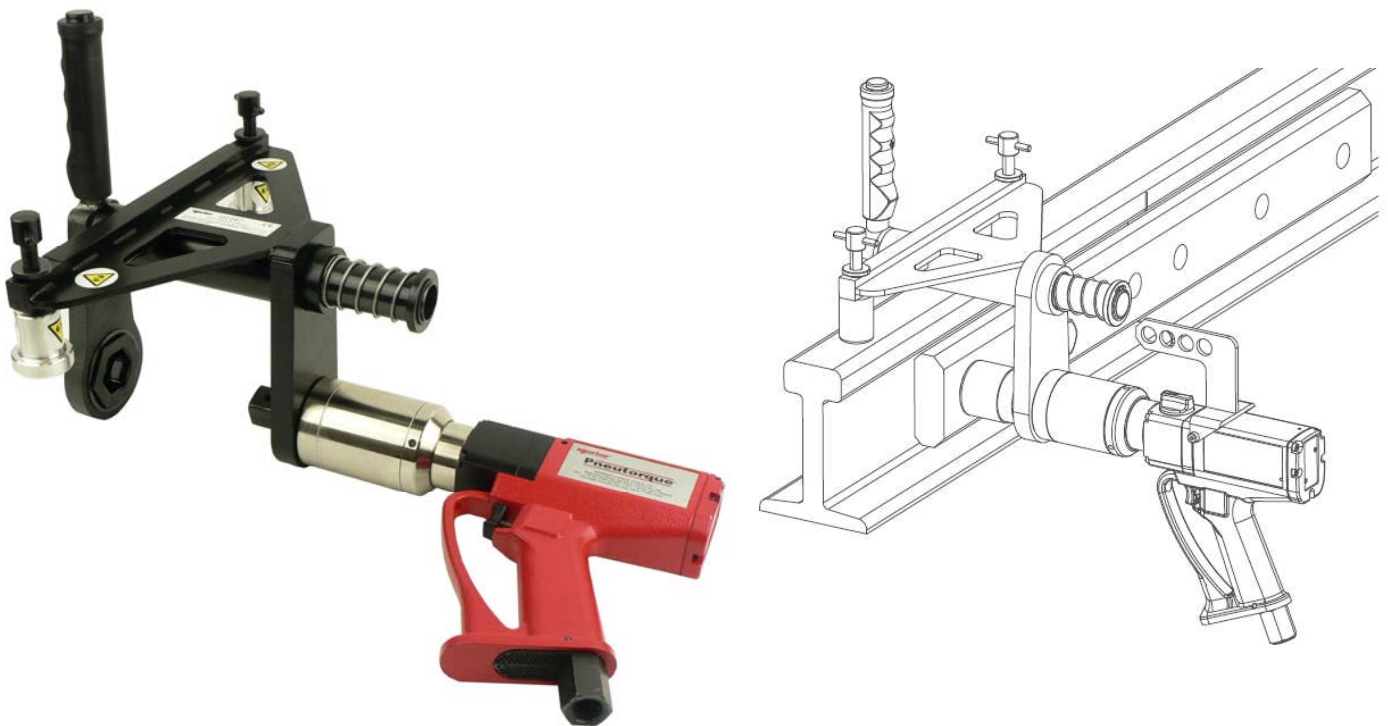
Project Description	Torque Reaction Assembly for Fastening Rail Fish Plates		
Date created	29 November 2011	Project Number	Q2267

INTRODUCTION & APPLICATION

Railway industry requirement for fish plate nut / bolt torque tightening equipment

SOLUTION

Pneutorque PTM-72-1000-B fitted with special torque reaction Q2267



TECHNICAL SPECIFICATION / DATA HIGHLIGHTS

- Pneutorque PTM-72-1000-B, with 200 - 1,000 N.m range, drives the bolt via a standard socket
- Special torque reaction assembly bridges the rail, locating the nut via a spring loaded arm
- Two aluminium feet react on the rail top (tighten / untighten)
- The reaction feet can be set to suit 3 x rail top to bolt distance variants
- The M24 (36mm A/F) nut locator is replaceable